

# GM EXPRESS/SAVANA & CITY EXPRESS CARGO VAN EQUIPMENT



# ADRIAN STEEL®

Cargo Management Solutions for Commercial Vehicles



### TIME IS MONEY! GET ON THE ROAD WITH EVERYTHING YOU NEED!

Adrian Steel has the storage products you need, with a nationwide distributor network for professional installation. This catalog will help you set up your work van with the equipment you need to get the job done. Start with a partition to keep your cargo in the cargo area. Choose the shelving and modules for the curb and street side that fit your business needs. Or, choose a pre-designed trade package to start from. Add the accessories you need to make your van more organized. Carry ladders or cargo on your roof? Check out the variety of ladder and utility racks available. The options are many, so if you don't know where to start contact your local Adrian Steel distributor for the expert advice you are looking for.



**\$1200 UPFIT CASH\***  
ON EXPRESS & SAVANA

**\$350 UPFIT CASH\***  
ON CITY EXPRESS

### MAKE YOUR CARGO VAN WORK READY WITH THE GM BUSINESS CHOICE PROGRAM.

Get The Ultimate In Flexibility When You Take Upfit Cash And Apply It Towards Any Adrian Steel Upfit, Including Commerical Curb Appeal!

#### WHAT IS GM BUSINESS CHOICE?

GM Business Choice is an incentive program designed specifically for business owners who use vehicles in the day-to-day operation of their business and not solely for transportation purposes. This incentive is available when you purchase or lease an eligible Chevrolet or GMC cargo van.

#### SAVE TIME!

Don't go searching around town for product you need for your GM Cargo Van. Adrian Steel has a comprehensive line of cargo management solutions to get your van upfitted for your trade! You can leave the dealership with a cargo van that is ready to go to work!

#### COMMERCIAL EXPERTS!

Your GM Dealership and Adrian Steel Distributor can guide you through the upfit process. Utilize their product expertise to get a complete, turn-key work vehicle.

#### PRODUCT FLEXIBILITY!

Create a work ready van, designed by you, for your specific cargo carrying needs! Organize the interior of your van to suit your trade with Adrian Steel's modular product line. Start with the essentials: a partition, shelving and a roof rack. Then get trade specific by adding drawer units, door kits, hook bars, floor drawers and more!

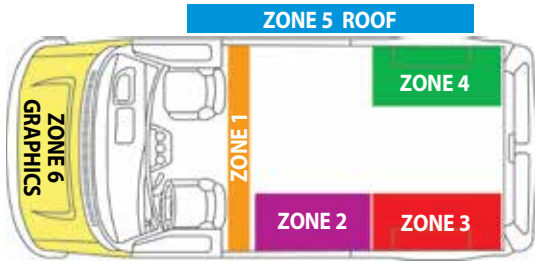
#### PROGRAM TIMEFRAME & DETAILS\*

The 2019 GM Business Choice Program runs through January 2, 2020. You must purchase or lease your vehicle and take delivery during the program time frame and provide proof of your business. Program is not available in all areas and may not be compatible with other offers or incentive programs. Consult your dealer for complete program details. For more information, please contact your local Adrian Steel Distributor.

\*US program only. See website for GM Canada program details. Program subject to change without notice.

GM is a registered trademark of the General Motors Corporation.





### ZONE 1 PARTITION

- Choose partition style: solid or perforated. Do you want a hinged door? See pgs 6-7.
- Choose the standard or 3" setback wing kit and add accessories.

### ZONES 2, 3, 4 CURBSIDE & STREETSIDE

- Use layout diagrams to determine the amount of space available.
- Choose from a variety of shelving units and modules that will best organize the tools and equipment you need to carry.
- Or, choose a Work Ready Upfit, complete with a trade specific, pre-designed interior and custom graphics package.

### ZONE 5 ROOF

- What do you need to carry?
- Choose from LoadsRite, Grip-Lock, and Utility racks.
- Add rack accessories including step ladder kits, ratchet straps, conduit carriers and more.

### ZONE 6 VEHICLE GRAPHICS

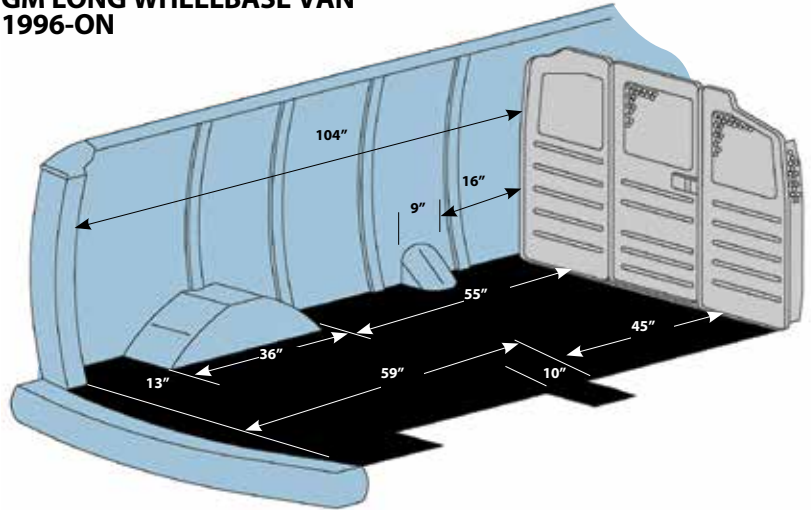
- Stand out in the crowd!
- Vehicle graphics are the most cost effective form of advertising!

### ADDITIONAL STORAGE

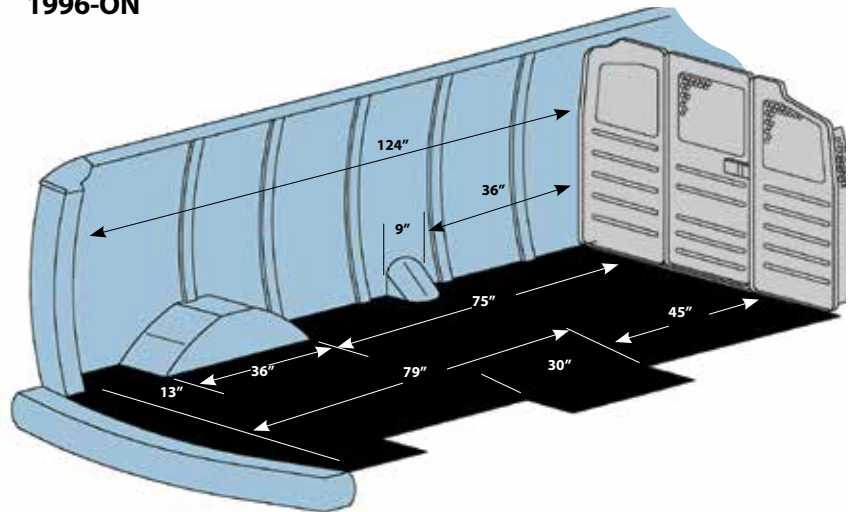
- Determine the space needed for specialty equipment.
- Add accessories to shelving and partition
- Hooks, drawers, files, screens, and more.

**Need some help?**  
**Contact your local distributor!**  
**They can provide a wealth of information about utilizing the cargo space in your work van.**  
**Find your local distributor online at [adriansteel.com](http://adriansteel.com).**

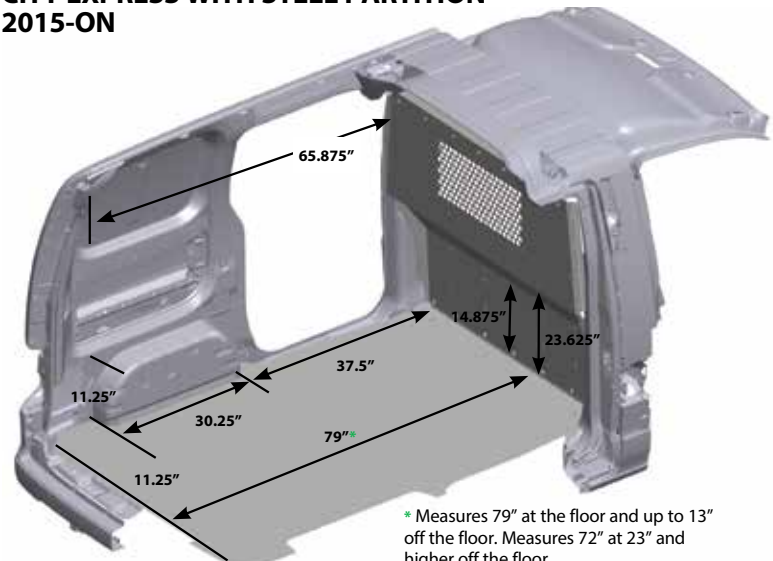
### GM LONG WHEELBASE VAN 1996-ON



### GM EXTENDED LONG WHEELBASE VAN 1996-ON



### CITY EXPRESS WITH STEEL PARTITION 2015-ON



\* Measures 79" at the roof and up to 13" off the floor. Measures 72" at 23" and higher off the floor.

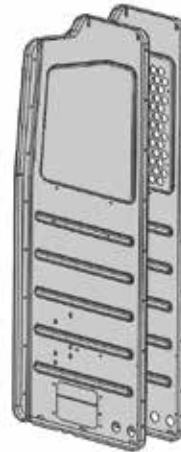
All illustrations, photos and specifications in this publication are based on the latest product information available at the time of content approval.

The right is reserved to make changes at any time, without notice, in materials, specifications and models, and also to discontinue models.

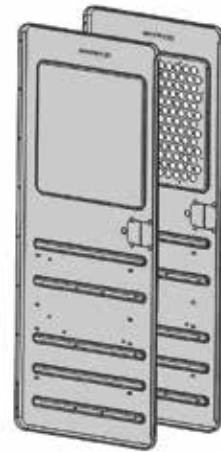
Note: Dimensions for reference only. Measure your van or contact your distributor for your exact needs.

**ADRIAN STEEL PARTITIONS KEEP CARGO WHERE IT BELONGS, IN THE CARGO AREA!**

Partitions are sold as panel kits and wing kits. Please see application chart below to confirm the appropriate panel kit and wing kit for your vehicle. Partition panel kits and wing kits include assembly and installation fasteners for base van trim level. Higher trim levels may require modifying trim or partition. Wing kits are available in a standard position or an extended position for more leg room.



**S1 Solid  
S2 Perforated Top**  
Panels mount behind driver seat.



**M1 Solid  
M2 Perforated Top**  
Fixed center panels can be hinged as key-locking doors



**C1 Solid  
C2 Perforated top**  
Panels mount behind passenger seat.



**Wing Kits**  
Available as standard setback or with extra 3" setback.

| MODEL                             | DESCRIPTION                       | STEEL PARTITION MOUNTING KIT W/ VISIBILITY |
|-----------------------------------|-----------------------------------|--|
| <b>FIXED CENTER PANEL</b>         |                                   |  |
| S1M1C1FSV                         | Solid panels                      | WKC1FSVGM<br>WKC1FSVGM3                    |
| S1M2C1FSV                         | Center panel perforated           | WKC1FSVGM<br>WKC1FSVGM3                    |
| S1M2C2FSV                         | Center and Curb panels perforated | WKC1FSVGM<br>WKC1FSVGM3                    |
| S2M2C2FSV                         | All panels perforated             | WKC2FSVGM<br>WKC2FSVGM3                    |
| <b>HINGED CENTER PANEL "DOOR"</b> |                                   |  |
| S1M1HC1FSV                        | Solid panels                      | WKC1FSVGM<br>WKC1FSVGM3                    |
| S1M2HC1FSV                        | Center panel perforated           | WKC1FSVGM<br>WKC1FSVGM3                    |
| S1M2HC2FSV                        | Center and Curb panels perforated | WKC1FSVGM<br>WKC1FSVGM3                    |
| S2M2HC2FSV                        | All panels perforated             | WKC1FSVGM<br>WKC1FSVGM3                    |

See more partition images and accessories on-line at [adriansteel.com](http://adriansteel.com).

**S-M-C SERIES PARTITIONS FOR EXPRESS & SAVANA VANS**

- Choose from solid or perforated panels.
- Partition mounts behind the B-pillar allowing for maximum cab comfort.
- Center M panels can be fixed or hinged with a key-locking door. All hinged door partitions come standard with two 6" hinges, bulb seal and a slam latch. These features reduce vibration noise.
- Partitions feature pre-drilled holes for adding accessories easily, and larger pass-through holes for routing wiring.
- Stamped steel panels reduce product weight without sacrificing strength.

Note: Extended wing kits reduce the amount of cargo space. Please confirm the interior layout of the van package to confirm that the extended wing kit has adequate room needed for installation. 3" extended wings not compatible with GM Pro/Access vans.



**FOR A MORE COMFORTABLE MOBILE OFFICE**

**NEW COMPOSITE PARTITION FOR GM FULL SIZE VAN**

Your mobile office is now more comfortable with an Adrian Steel composite partition. Sound deadening reduces driver distractions. Climate control reduces vehicle idle time for warm up and cool down. Generous leg room for less stress behind the wheel. The integrated steel frame provides the same level of performance that you are accustomed to from Adrian Steel.



- Available with or without a clear poly rear-view window.
- Add hooks along the integrated AD rail.
- Features a mounting location by the door for a fire extinguisher (not included.)

**PARGM** - Composite Partition w/ Visibility

**PARGM-NW** - Composite Partition

**NEW**



**STEEL AND WIRE PARTITION OPTIONS FOR THE CITY EXPRESS**



**P2NV2S  
STEEL PARTITION W/ VISIBILITY**

- Features all steel panels to safeguard the cab area against moving or shifting cargo.
- Recessed design allows for maximum adjustability of front seats.
- Perforated window provides full visibility of your cargo area and rear windows.
- Steel header and full perimeter wings provide optimal security.
- Recessed bottom panel provides room for a 6 foot step ladder or other accessories.

Note: Wing kits are not needed.



**P2NV2FW  
WIRE PARTITION**

- Provides maximum visibility while safeguarding your van cab area against moving, shifting cargo.
- Recessed design allows for maximum adjustability of your driver and passenger seats.
- Lightweight and economical, without sacrificing safety and security.

**Partition Accessories**



**TA1 4-Hook Bar** 2" x 12" bar mounts to partition or shelving. Four welded hooks with 2" hanger opening.

**PDK1 Steel Partition Door Kit** converts M-Series fixed center panel into hinged door with keyed slam latch. Includes two 6" hinges, bulb seal and a slam latch that reduce vibration noise.



**PA9 First Aid Tray** secures first aid box to partition or other vertical surface. Measures: 11"W, 4-1/2"H, 3-1/8" D

**PA7 Reflector Kit w/ Bracket** Includes reflector kit with metal pocket holder, I.C.C. approved.

**PA8 Fire Extinguisher** is a rechargeable, 2-1/2 lb. dry chemical extinguisher. Stops Class A, B and C fires. Complete with charge gauge and mounting bracket.



**PA10 File Holder** Organizes paperwork. Measures: 12"W, 7" H, 5" D.

**TH30 or TH50 Tank Holder** holds 30lb. or 50lb. tank to partition or other vertical surface.

**Partition Climate Control Kit** (not shown) install over the perforations of the partition to help with climate control in the cab.

**PA5-1:** S panel, **PA5-2:** M panel, **PA5-6GMS:** C panel.

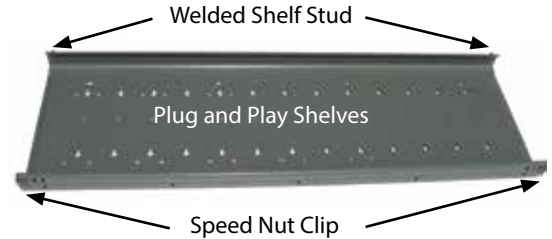
**PA5-3GMS:** fits X-Series partition





**THE NEXT GENERATION OF CARGO MANAGEMENT SOLUTIONS**

Tools, equipment and cargo come in all shapes and sizes and until now, there hasn't been a shelving unit that is **truly adjustable**. The ADseries is the first of it's kind where, with only a screwdriver, you can simply remove the front shelf bolts and move the shelf where you need it. Shelves can be adjusted in one inch increments and provide the most flexible shelving solution available.



**TRULY ADJUSTABLE SHELVES**

All you need is a phillips head screwdriver! The unique shelf design features rear shelf studs that lock the shelves in place and speed nut clips that allow you to attach bolt on easily! Simply remove two bolts from the speed nut clips at the front lip of the shelf, tilt the shelf upwards to disengage the rear studs, move the shelf to your desired location, insert the rear shelf studs, reattach the bolts and you're done!



**ADAPTABLE INTERIOR**

Everyone likes to set their work van up their own way. The ADseries allows you position the shelving where you need it. Exclusive to the ADseries, the unique rail system enables you to reposition the shelving along the rail, increasing the available space for trade specific equipment. All of this is done without removing bolts, plugging holes and redrilling the van! The 6" knock out of the stamped steel end panels provides a 48" floor space to accommodate 4'x 8' sheet goods (up to 22 sheets of 1/4" drywall or a combination of thicknesses).



**ADD ACCESSORIES**

Businesses change over time and your van interior should be able to change with your needs. Plug and Play shelves have prepunched holes that allow adding storage solutions easily! ADseries dividers simply snap in place, drawer units and door kits simply bolt into place. Many Adrian Steel accessories can be added to the ADseries shelving with the rail adapter kits and end panel brackets.

| MODEL      | SIZE                              | DESCRIPTION                      |
|------------|-----------------------------------|----------------------------------|
| AD28NV2    | 28"W x 46"H x 14"D                | fits City Express                |
| AD32FP     | 32"W x 46"H x 14"D                | fits Express/Savana/City Express |
| AD44FP     | 44"W x 46"H x 14"D                | fits Express/Savana              |
| AD50FP     | 50"W x 46"H x 14"D                | fits Express/Savana              |
| RKFSVLWB   | Mounting Rail Kit                 | fits Express/Savana              |
| RKFSVXLWB  | Mounting Rail Kit                 | fits Express/Savana              |
| RK67NV2-CS | Passenger Side Mounting Rail Kit  | fits City Express                |
| RK67NV2-SS | Driver Side Mounting Rail Kit     | fits City Express                |
| RKNV2-CS   | Passenger Side Mounting Plate Kit | fits City Express                |
| RKNV2-SS   | Rail Kit-streetside               | fits City Express                |

| MODEL    | SIZE/DESCRIPTION                      |
|----------|---------------------------------------|
| DV14C1   | Shelf Divider                         |
| DV14C8   | 14" Shelf Dividers                    |
| DK3008   | Door Kit                              |
| DK3010   | Door Kit                              |
| DK4208   | Door Kit w/ Open Back                 |
| DK4210   | Door Kit w/ Open Back                 |
| DK4808   | Door Kit                              |
| DK4810   | Door Kit                              |
| DK532    | Rail Kit Adapter/See list at right    |
| BRK14EPS | End Panel Mounting Bracket            |
| RKA1     | Rail Kit Adapter/See list at right    |
| RKA3     | Rail Kit Adapter3/See list at right   |
| RKA4     | Rail Kit Adapter4/See list at right   |
| RKABRK1  | Single Adapter Bracket for Rail Kit   |
| RKABRK2  | Double Adapter Brackets for End Panel |
| RKAWTR   | Welded Tank Rack Rail Adapter         |
| RKA919   | Drawer Riser Kit                      |
| 35325-G  | 32" Long Shelf                        |
| 35327-G  | 44" Long Shelf                        |
| 35328-G  | 50" Long Shelf                        |

**RKA1** – Rail Adapter Kit1  
Use with: CB2, CB3, CB4 (uses 2)

**RKA3** – Rail Adapter Kit3  
Use with: #1, #12, #2, #8, DC Units, 17A, CRH2, TA19, TA5

**RKA4** – Rail Adapter Kit4  
Use with: CL1446D/R, #40, KDRH2, KD Shelving Units, #33, #3, #33W, JD Shelving

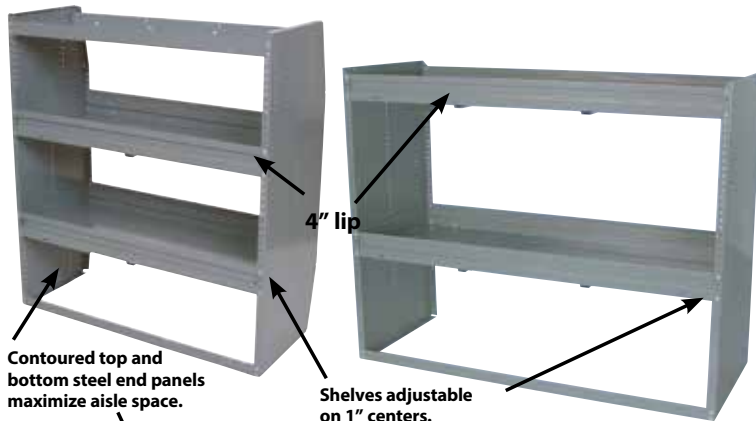
**BRK14EPS** – End Panel Mounting Bracket. Use with: 17A, CB5, 43, TA19, TA20, WRH5, UH10/25/50, PA9, PA8, ACT3/4, PA11, AGSCH2, PA7, TH30, TH50, TA5

**RKABRK1** – Used with TA19, TA20, TA5

Note: Rails are not included with the shelf units.  
Rail kits must be ordered separately.  
Note: Shelves have the following weight ratings:  
Shelves positioned with the shelf lip facing up have a rating of 100 lbs. per shelf evenly distributed.  
Shelves positioned with the shelf lip facing down have a rating of 200 lbs. per shelf evenly distributed.

### CONFIGURE SHELF SPACING TO YOUR SPECIFIC CARGO MANAGEMENT NEEDS.

Adrian Steel Adjustable Shelving is available in narrow, 10" units up through extra long, 60" units and are designed to best utilize the space within your van. Set shelf space to fit your particular needs. Shelf lips keep items from rolling off shelf while in transit. Locking Door Kits convert a shelf into an enclosed, locking cabinet.



Contoured top and bottom steel end panels maximize aisle space.

4" lip

Shelves adjustable on 1" centers.

### JD SERIES JUMBO DEEP SHELVING

- Available in 18" and 24" depths.
  - Shelf gussets and floor rail provide extra strength.
  - 18" deep units contain one 14" and two 18" deep shelves.
  - 24" deep units have squared end panels and two shelves.
- See chart.

| MODEL  | OVERALL SIZE       | OPEN SHELF SPACE |
|--------|--------------------|------------------|
| JD42FP | 42"W x 46"H x 18"D | 14.58 sq ft      |
| JD52FP | 52"W x 46"H x 18"D | 18.56 sq ft      |
| JD48FP | 48"W x 48"H x 24"D | 20.21 sq ft      |
| JD60FP | 60"W x 48"H x 24"D | 20 sq ft         |



4" lip

### HD SERIES HEAVY DUTY SHELVING

- Features shelf gussets and full floor-rail that provide extra strength, and contoured end panels that maximize aisle space.
- Contains 12" deep top tray with 2" lip and two 14" deep shelves with 4" lip.

| MODEL   | OVERALL SIZE       | DOOR POSITION  | DOOR KIT MODEL   | OPEN SHELF SPACE |
|---------|--------------------|----------------|------------------|------------------|
| HD-32FP | 32"W x 46"H x 14"D | Shelf<br>Floor | DK532*<br>DK532A | 8.89 sq ft       |
| HD-42FP | 42"W x 46"H x 14"D | Shelf<br>Floor | DK542*<br>DK544  | 11.67 sq ft      |
| HD-52FP | 52"W x 46"H x 14"D | Shelf<br>Floor | DK552*<br>DK552A | 14.44 sq ft      |

\* Back panel included with door kit



Contoured top and bottom steel end panels maximize aisle space.

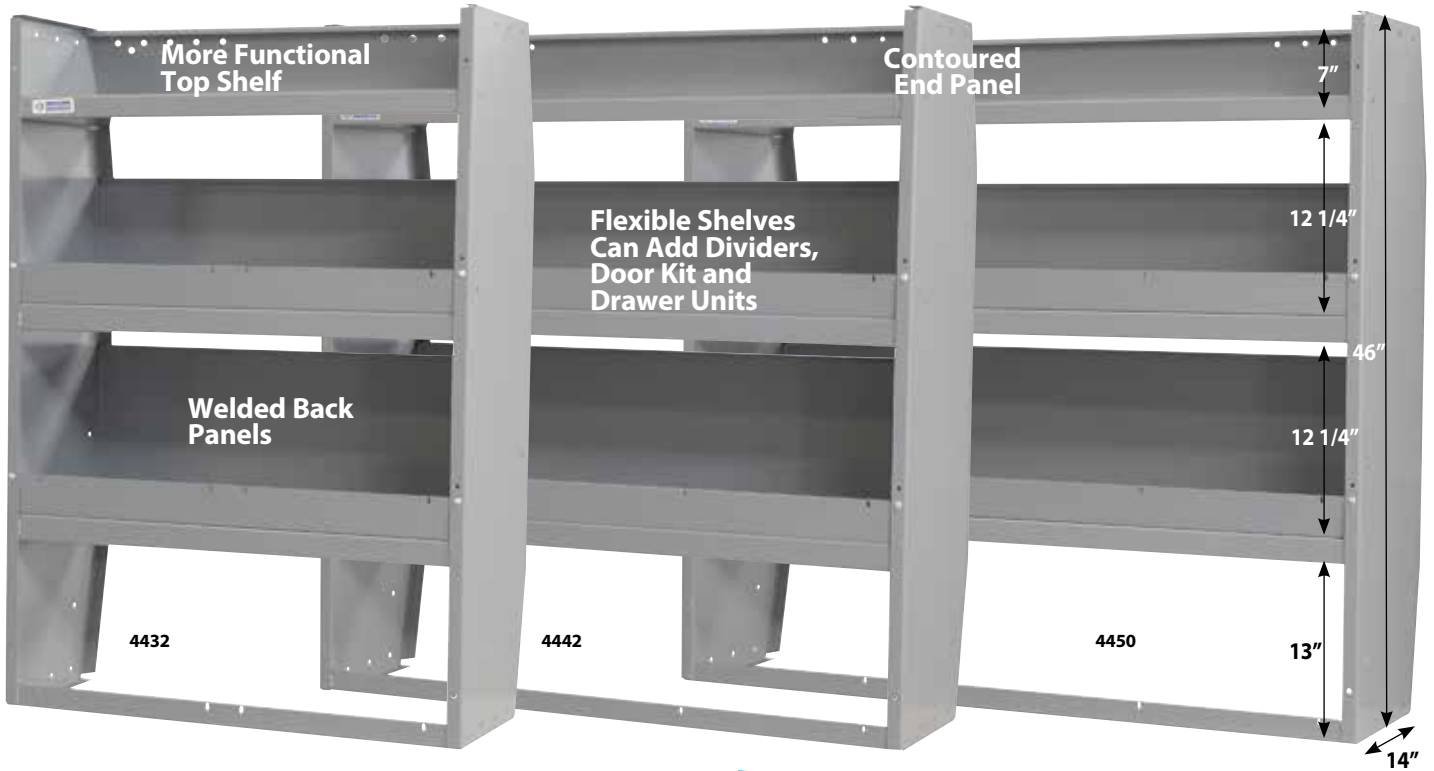
### KD SHELVING

- KD shelf racks feature shelves that are fully adjustable on 1" centers.
- #3 and #33 feature solid end and back panels and four adjustable shelves.
- The #33W and 33WB have welded, contoured end panels and contain two welded shelves and three adjustable shelves.
- The 33WB includes four removable plastic bins with dividers.

| MODEL | OVERALL SIZE       | SHELF LIP | OPEN SHELF SPACE |
|-------|--------------------|-----------|------------------|
| 3     | 18"W x 46"H x 12"D | 2"        | 6 sq ft          |
| 33    | 12"W x 46"H x 12"D | 1"        | 4 sq ft          |
| 33W   | 10"W x 46"H x 14"D | 1"        | 4.71 sq ft       |
| 33WB  | 10"W x 46"H x 14"D | 1"        | N/A              |



**NOW AVAILABLE IN 32", 42" & 50" LENGTHS**



| MODEL | DESCRIPTION         |
|-------|---------------------|
| 4432  | Welded 3-Shelf Unit |
| 4442  | Welded 3-Shelf Unit |
| 4450  | Welded 3-Shelf Unit |



Contoured top and bottom steel end panels maximize aisle space.

**ACCESSORIES FOR WELDED SHELVING**

Upgrade the 44 Series with Dividers, DC Drawer Units, Lock & Latch drawer units, Door Kits and our popular #28 Parts Bin!  
**Plug & Play units – add accessories in minutes!**



**DRAWER COMPONENT SHELVES**

- Create customized shelving modules with drawer component shelves.
- Built to bolt onto the DC6 and DC12, these shelves can provide additional storage space.
- The shelves are available in 18", 24" and 36" wide configurations.
- Feature a 1" shelf lip.



| MODEL     | DESCRIPTION                           | SHELF SIZE  |
|-----------|---------------------------------------|-------------|
| SF11218DC | Shelf for DC Drawer Units 12"d x 18"w | 12"D x 18"W |
| SF11224DC | Shelf for DC Drawer Units 12"d x 24"w | 12"D x 24"W |
| SF11236DC | Shelf for DC Drawer Units 12"d x 24"w | 12"D x 36"W |

**ACCESSORIES**

| MODEL  | DESCRIPTION                    |
|--------|--------------------------------|
| DV44U1 | Top shelf divider (single)     |
| DV44U4 | Top shelf divider kit (4 pack) |
| DV44U  | Top shelf divider kit (8 pack) |
| DV44L1 | Lower shelf divider (single)   |
| DV44L4 | Lower shelf divider (4 pack)   |
| DK532  | Door Kit w/ Back Panel         |
| DK544  | Door Kit                       |
| DK550  | Door Kit                       |
| 28     | Parts Bin                      |

**STORAGE MODULES ARE USEFUL COMBINATIONS OF SHELVING AND STORAGE.**

When you need a variety of parts and tools to do the job, it is essential that you have them organized and easily accessible. Offering a variety of storage and workbench combinations, Adrian Steel Modules are the key to efficiency when working out of your van.

**MD507 SHELF AND DRAWER MODULE**

**MD507 INCLUDES:**

|    |                                 |
|----|---------------------------------|
| 9  | 4-Drawer Unit w/ Lock           |
| 18 | Welded 3-Shelf Unit w/ Dividers |
| 19 | 2-Drawer Unit w/ Lock           |
| 40 | Wheelwell Bin w/ Lock           |
| 43 | 3-Shelf Literature Rack         |

**42"W x 46.5"H x 14"D**



**MD506 SHELF AND DRAWER MODULE**

**MD506 INCLUDES:**

|    |  |
|----|--|
| 9  | 4-Drawer Unit w/ Lock                      |
| 12 | Adjustable Single Shelf Cabinet w/Lock (2) |
| 19 | 2-Drawer Unit w/ Lock                      |
| 40 | Wheelwell Bin w/ Lock                      |
| 43 | 3-Shelf Literature Rack                    |

**42"W x 46.5"H x 14"D**



**MD534 CABINET AND DRAWER MODULE**

**MD534 INCLUDES:**

|      |  |
|------|--|
| 9    | 4-Drawer Unit w/ Lock                      |
| 12   | Adjustable Single Shelf Cabinet w/Lock (2) |
| 19   | 2-Drawer Unit w/ Lock                      |
| 33WB | Welded 4-Shelf Unit w/ Bins                |
| 40   | Wheelwell Bin w/ Lock                      |
| 43   | 3-Shelf Literature Rack                    |

**52"W x 46.5"H x 14"D**



**MD508 WORKBENCH MODULE**

**MD508 INCLUDES:**

|    |                       |
|----|-----------------------|
| 9  | 4-Drawer Unit w/ Lock |
| 19 | 2-Drawer Unit w/ Lock |
| 40 | Wheelwell Bin w/ Lock |
| 54 | Workbench Top         |

**42"W x 26"H x 14/18"D**



**MD509 WORKBENCH MODULE**

**MD509 INCLUDES:**

|     |                       |
|-----|-----------------------|
| 8   | 3-Drawer Unit (2)     |
| 40  | Wheelwell Bin w/ Lock |
| 54  | Workbench Top         |
| CB2 | 2-Book File           |

**42"W x 31"H x 14/18"D**



**WORKBENCH MODULE FOR LOW, MEDIUM & HIGH ROOF**

The MD608 Workbench Module features 84" of work top surface perfect for any mobile workshop. Shown with optional 17A 6-Shelf Catalog File and floor Rail Kit. See package 5274TL.

**MD608 INCLUDES:**

|       |                           |
|-------|---------------------------|
| KMB36 | Key Machine Base          |
| 54    | Workbench Top (2)         |
| 9     | 4-Drawer Unit w/ Lock (2) |
| 19    | 2-Drawer Unit w/ Lock (2) |
| 40    | Wheelwell Bin w/ Lock     |
| 14    | Step Stool                |

Storage Modules are designed to fit over wheelwells of GM full size vans.

Visit [AdrianSteel.com](http://AdrianSteel.com) to see more Storage Modules.



**SPECIFIC JOBS DEMAND SPECIFIC STORAGE SOLUTIONS.**

Cabinet and Drawer Modules provide secure storage for large and small tools and parts. The modular design allows you to get what you need now and the ability to add more when you need it. Whatever the job demands, Adrian has the storage solutions to transport your gear safely and securely.



**TA20**  
Vented gas storage solutions

**TANK CABINETS**

- Provide vented storage for Propane, Mapp gas or CO2 tanks.
- Cabinets feature a full door gasket with two snap latches for positive door closure.
- Interior cabinet cradle and retaining straps (foam yokes for TA19) secure tanks and prevent movement.
- Floor vent and tubing are included for exhausting fumes.
- Propane cabinets store 20, 30 or 40 lb. tanks.
- Mapp Gas Cabinets store 6 1/2" diameter tanks.
- CO2 Tank Cabinets store 20 lb. cylinders.

| MODEL | DESCRIPTION                 | CABINET SIZE           |
|-------|-----------------------------|------------------------|
| TA18  | Compressed Gas Tank Cabinet | 14-3/4"W x 36"H x 13"D |
| TA19  | Compressed Gas Tank Cabinet | 13"W x 32"H x 12-1/2"D |
| TA20  | Mapp Gas Cabinet            | 14"W x 26"H x 8"D      |

**SHELF CABINETS**

- Available in 12" and 18" front to rear lengths
- Can be used free standing or stacked with our lockable drawer units.
- Feature locking recessed tee-handles for secure storage and receive a durable gray powder coat finish.
- Cabinets feature an open side and can be combined for side-by-side use holding items up to 35" long.
- Optional end panel can be added to close off side when required.
- Include an adjustable shelf that can be removed
- Cabinets provide a solid surface to stack modular drawers, cabinets and bins.



**Folding T handles don't stick out into aisles.**

| MODEL | DESCRIPTION                            | CABINET SIZE       |
|-------|--|--------------------|
| 1     | Adjustable Single Shelf Cabinet w/Lock | 18"W x 22"H x 18"L |
| 12    | Adjustable Single Shelf Cabinet w/Lock | 18"W x 22"H x 12"L |
| 1A    | Cabinet Shelf                          | No. 1              |
| 12A   | Cabinet End Panel                      | No.12              |



**40 WHEEL WELL COVER CABINET**

- Wheel well cover cabinets are designed with an open back and bottom.
- Serves as an enclosure for rear wheel wells.
- Provides a solid surface to stack modular drawers, cabinets and bins.
- Cabinets come with locking recessed tee-handles for secure storage.
- Finished with a durable gray powder coat finish.
- Cabinet size 42"W x 12.5"H x 14"L



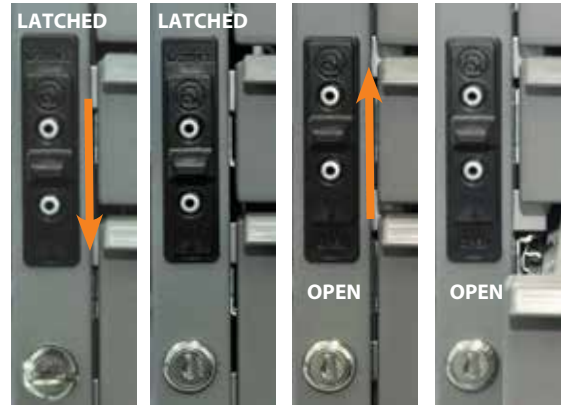
**CABINET LOCKERS**

- Full-door Lockers feature a 46" high storage space with 3 removable shelves.
- Short-door Lockers feature a 33" high storage area and with 2 removable shelves.
- Locker doors are reversible for flexibility and feature locked recessed T-handles for security.
- Cabinet Lockers taper from 14" to 12" from front to back in depth at top and bottom to maximize aisle space.

| MODEL   | DESCRIPTION                        | CABINET SIZE       |
|---------|------------------------------------|--------------------|
| CL1446R | Adjustable 3-Shelf Cabinet w/ Lock | 18"W x 46"H x 14"D |
| CL1446D | Adjustable 3-Shelf Cabinet w/ Lock | 18"W x 46"H x 14"D |



2.5" deep drawers come with ABS divided and removable trays perfect for small parts.



**Latched & Locked    Latched & Unlocked    Drawers Unlatched    Drawers Open**

| MODEL | DESCRIPTION             | DRAWER SIZE (QTY.)   |
|-------|-------------------------|--|
| 19    | 2-Drawer Unit w/ Lock   | 16"W x 5"D x 11-1/2"L (2)                                  |
| 919   | 3-Drawer Unit w/ Lock   | 16"W x 2-1/2"D x 11-1/2"L (2)<br>16"W x 5"D x 11-1/2"L (1) |
| 9     | 4-Drawer Unit w/ Lock   | 16"W x 2-1/2"D x 11-1/2"L (4)                              |
| 27    | Drawer Divider Assembly | 19 or 919 Drawer (1)                                       |

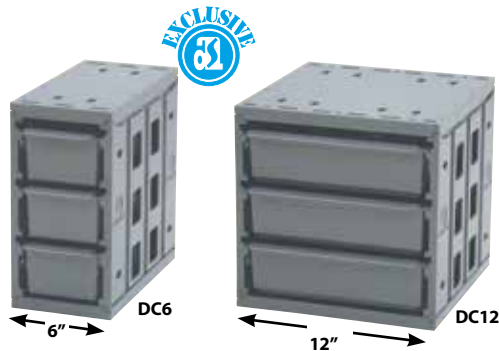
Steel outer cabinet measures 18"W x 12"H x 12"L.

**DRAWER UNITS – LOCK ‘N LATCH SYSTEM**

- Our exclusive Lock ‘n Latch system provides a choice of drawers open, drawers retained or drawers locked position.
- Drawers are made of an engineered composite material for durability with heavy-duty drawer glides for support and smoother drawer operation.
- The new drawer glides significantly increase the ease of use when opening and closing the drawer units. They all but eliminate the rattle noise of the drawers when the driving the vehicle.
- Drawers and glides can be repositioned within cabinet for increased flexibility.
- Divide 5" deep drawers into compartments using optional metal "egg crate" dividers.

**DRAWER COMPONENTS**

- Organize small parts with our flexible and rugged composite Drawer Components.
- Drawer retention stops prevent drawers from opening while the vehicle is in transit.
- Made of a hi-impact polymer for a quiet operation.
- Each drawer comes with 2 dividers and 7 divider slots.
- Interlocking feature allows up to 2 units stacked vertically or multiple units horizontally.
- Choose from Adrian Steel's pre-configured drawer systems or create your own drawer system from the base models.



| MODEL    | DESCRIPTION    | OVERALL SIZE       |
|----------|----------------|--------------------|
| DC6      | 3-Drawer Unit  | 6"W x 12"H x 12"D  |
| DC12     | 3-Drawer Unit  | 12"W x 12"H x 12"D |
| DS06212V | 6-Drawer Unit  | 12"W x 24"H x 12"D |
| DS36012H | 9-Drawer Unit  | 18"W x 12"H x 12"D |
| DS46012  | 12-Drawer Unit | 12"W x 24"H x 12"D |

5lb. weight capacity per drawer.



#2 Cabinet Size  
18"W x 24"H x 18"L

#8 Cabinet Size  
18"W x 18"H x 12"L

**DRAWER UNITS – LOCKING HINGE AND HASP**

- Drawers are welded and have reinforced drawer slides for strength.
- Can be locked with a padlock (not included) for security.
- Divide drawers with optional metal "egg crate" dividers.

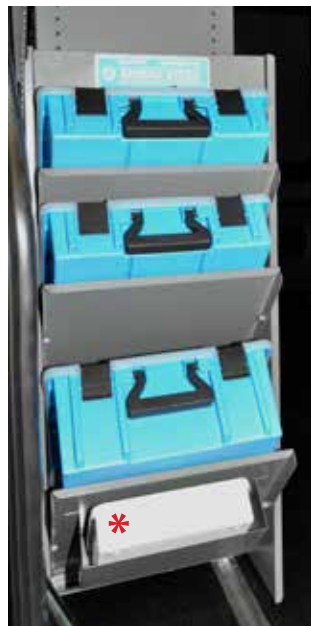
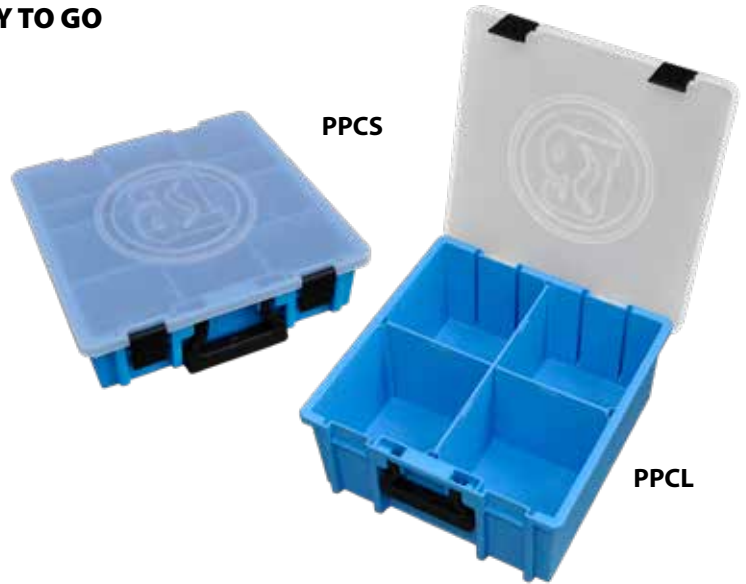
| MODEL | DESCRIPTION             | DRAWER SIZE (QTY.)        |
|-------|-------------------------|---------------------------|
| 8     | 3-Drawer Unit           | 16"W x 5"D x 11-1/2"L (3) |
| 2     | 4-Drawer Unit           | 16"W x 5"D x 17-1/2"(4)   |
| 25    | Drawer Divider Assembly | No. 2 Drawer (1)          |
| 26    | Drawer Divider Assembly | No. 8 Drawer (1)          |

**BE MORE EFFICIENT WITH INVENTORY THAT IS READY TO GO WHEN AND WHERE YOU ARE.**

Versatile, lightweight, durable, convenient and mobile - these **Portable Parts Cases** are perfect for the tech who needs to carry small parts and inventory to the jobsite.

The impact resistant body can be organized with the included adjustable dividers. The see-through lids with snap latches make identifying contents easy.

**PPCS** 14" x 14" x 3.75"  
**PPCL** 14" x 14" x 6.25"



**CH-EP**  
 15.5" x 11.25" x 37.5"  
 \* FIRST AID KIT NOT INCLUDED



**CHPPC5SM**  
 16.5" x 14" x 35"



Add a single **CH1514SGL 15" x 14" x 12"** or double **CH-1514DBL 15" x 14" x 12"** **Case Holder** to an existing shelf to house included cases that stay put while in transport.

**INCORPORATE THE PORTABLE PARTS CASES INTO YOUR VAN WITH THE STORAGE OPTION THAT FITS YOUR NEED.**

Three different **Case Holder** options give you the ability to house multiple Portable Parts Cases near the vehicle door for easy access to grab-and-go. The **CH-EP** and **CHPPC5SM** include a tray that holds an optional first aid kit and feature slanted shelves.

The **CHPPC4S** includes four PPCS cases and each shelf has a retaining lip to keep cases in place.



**CHPPC4S**  
 14.5" x 11.5" x 18"



**KEEP WORK ORDERS AND INVOICES ORGANIZED AND SECURE WITH ADRIAN'S STORAGE FILES.**

**TDC12 Tech Desk**



**Tech Desk Center Console**

- Lid tray with non-slip coating to protect your electronics from sliding while driving.
- Ignition triggered USB ports keep your electronics charged without draining your vehicle battery.
- Interior LED lights make it easy to see your stored materials.
- Non-slip internal organization to protect electronics from banging against metal during your commute.
- Lockable lid keeps your valuable electronics safe and secure when you're away from your vehicle.
- Easy access to your clip board.



**CCD12 Center Console**  
**CCDLTH Center Console Laptop Holder**  
**CCDHF12 Center Console Hanging File**

**Aluminum Lock Box**

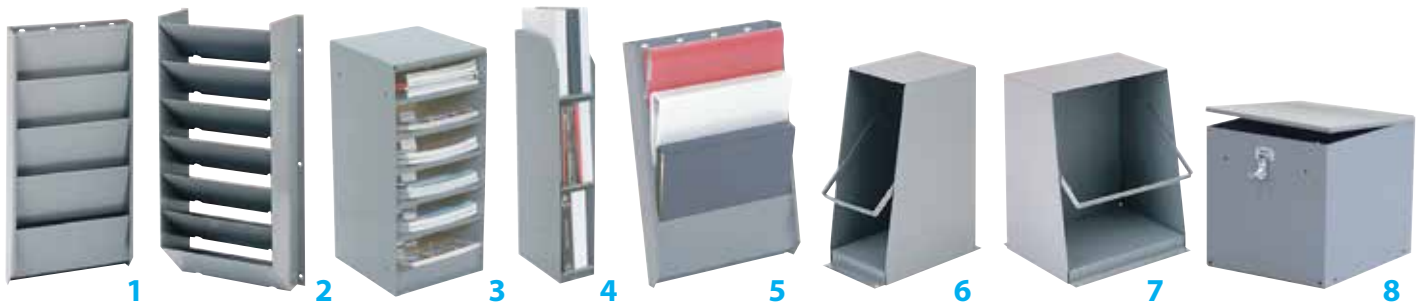
- Stores valuable tools and paperwork.
- Gas shock safely opens and closes the large lid.
- The large lock will accommodate a padlock or hockey puck style lock (not included.)
- Designed to mount on the van floor facing out the side or rear doors.
- Aluminum construction with powder coat black paint.



**LKB1 Lock Box**  
 20" W, 14.5" H, 25" D



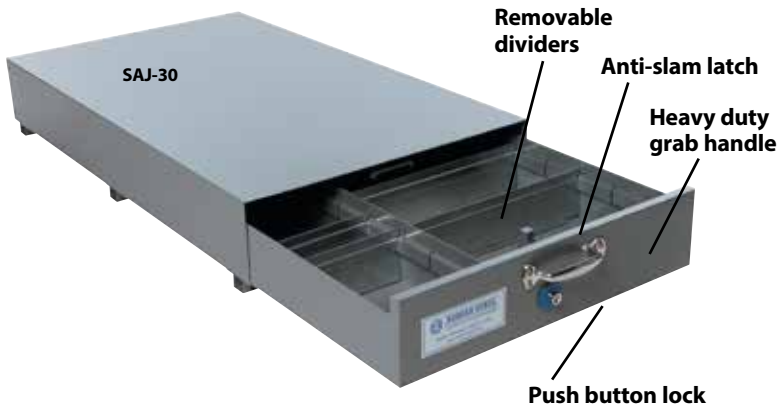
**Literature Files**



- 1: CB5 5-Slot Literature Rack** Mount on partition or other vertical surface. 2-1/2" deep pockets. Overall size: 12"W, 24"H, 2-1/2"D.
- 2: CB7 7-Slot Literature Rack** Mount on partition or other vertical surface. 6-3/4" deep pockets. Overall size: 14-3/4"W, 28-7/8"H, 7"D.
- 3: 17A 6-Shelf Catalog File** Designed for catalogs but also serves to store a variety of materials between the 3" shelf spacings. Overall size: 11"W, 24"H, 12"D.
- 4: 43 3-Shelf Literature Rack** Fits in narrow spaces. It has three tilted shelves. Perfect for binders and catalogs. Overall size: 6" W, 34" H, 12" D.

- 5: BH4 4-Slot Literature Rack** Designed to mount on partition or almost any vertical surface. Excellent for binders. Each pocket is 2 1/2" deep. Overall size: 12-3/4" W, 19-1/2" H, 2-1/2" D.
- 6: CB2 2-Book File** Mounts on the floor between front seats and partition. Holds folders 12"H x 10-1/2"D. Overall size: 6"W, 14"H, 12"D.
- 7: CB3 3-Book File** Mounts on cabinet tops or on the floor. Multiple units can be flush-mounted. Holds folders 12"H x 10-1/2"D. Overall size: 10-3/4"W, 14"H, 12"D.
- 8: CB4 Utility Box** Stores a variety of printed material. Also suitable for keeping tools, safety glasses, gloves and other items. Hinged lid. Overall size: 12"W, 12"H, 14"D.

ADRIAN'S FLOOR DRAWER IS THE FINEST FLOOR STORAGE UNIT YOU CAN BUY.



- 14 Gauge steel outer cabinets are constructed with top channel cross support members for strength and rigidity.
- Drawers are constructed with double sidewalls to prevent bowing and to accommodate items up to 48" in length.
- The anti-slam latch stops drawers from completely closing without positive latch activation.
- Heavy-duty grab handle and push button lock allows for comfortable, one-handed drawer operation.
- Durable powder coat finish will provide years of rugged service.
- Easy glide drawers with full width recessed conveyor roller at front and hardened steel roller bearings at rear.
- Install at rear or side doors, and units can be stacked.



SA-10



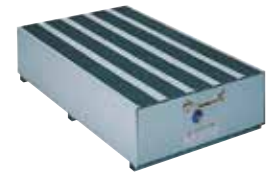
SA-20



SA-40

### FLOOR DRAWER DEEP SERIES

| MODEL | DESCRIPTION                     | CABINET SIZE           | DRAWER SIZE   | FLOOR DRAWER TRACTION KIT | DIVIDER (QTY.)     |
|-------|---------------------------------|------------------------|---|---------------------------|--------------------|
| SA-10 | Single Compartment Floor Drawer | 10"W x 12"H x 51-1/2"D | 9-5/8"W x 8-1/2"H x 48-1/2"D                                      | TK10                      | DV9(5)             |
| SA-20 | Single Compartment Floor Drawer | 20"W x 12"H x 51-1/2"D | 19-5/8"W x 8-1/2"H x 48-1/2"D                                     | TK20                      | DV19(5)            |
| SA-40 | Triple Compartment Floor Drawer | 40"W x 12"H x 51-1/2"D | 9-5/8"W x 8-1/2"H x 48-1/2"D (2)<br>19-5/8"W x 8-1/2"H x 48-1/2"D | TK40                      | DV9(10)<br>DV19(5) |



**Floor Drawer Traction Kits** are available to provide a positive friction surface for better footing. Traction Kits are 4" wide, self-adhesive strips.

**Floor Drawer Dividers** are available and are sold individually.



SAJ-10



SAJ-20



SAJ-30



SAJ-40

### FLOOR DRAWER SHALLOW SERIES

Floor Drawer quality in a lower profile

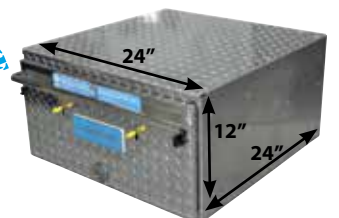
| MODEL  | DESCRIPTION                     | CABINET SIZE              | DRAWER SIZE   | FLOOR DRAWER TRACTION KIT | DIVIDER (QTY.) |
|--------|---------------------------------|---------------------------|---|---------------------------|----------------|
| SAJ-10 | Single Compartment Floor Drawer | 10"W x 8-1/2"H x 51-1/2"D | 9-5/8"W x 5-1/4"H x 48-1/2"D                                  | TK10                      | DVJ9(5)        |
| SAJ-20 | Single Compartment Floor Drawer | 20"W x 8-1/2"H x 51-1/2"D | 19-5/8"W x 5-1/4"H x 48-1/2"D                                 | TK20                      | DVJ19(5)       |
| SAJ-30 | Double Compartment Floor Drawer | 30"W x 8-1/2"H x 51-1/2"D | 9-5/8"W x 5-1/4"H x 48-1/2"D<br>19-5/8"W x 5-1/4"H x 48-1/2"D | TK30                      | DVJ9(5)        |
| SAJ-40 | Triple Compartment Floor Drawer | 40"W x 8-1/2"H x 51-1/2"D | 9-5/8"W x 5-1/4"H x 48-1/2"D (2)                              | TK40                      | DVJ9(10)       |

### FLOOR DRAWERS

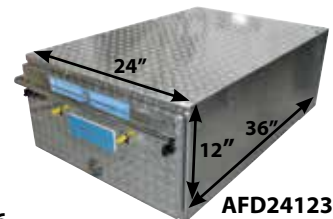
- Adrian Steel exclusive Anti-Slam latch keeps drawer from closing without positive latch activation. The only aluminum drawer in the industry with this feature!
- An automotive grade lock keeps expensive cargo secure and the adjustable divider helps keep contents segmented.
- The integral latch keeps the drawer open when you are on an incline and closed when you're done!
- Heavy duty grab handles and ball bearing slides allow the drawer to open and close with ease.
- Can be stacked to utilize large cubic storage areas.
- 24" deep units have a weight capacity of 350 lbs. and the 36" deep have a 325 lb. weight capacity.



**AFD181236**  
weight 52lbs.



**AFD241224**  
weight 46lbs.



**AFD241236**  
weight 60lbs.

**ADRIAN'S BLUE BIN SYSTEM IS PERFECT FOR VISUAL INVENTORY MANAGEMENT.**

- 6" and 12" bins maximize the ADseries shelf space.
- The innovative rail system locks the bins in place on the shelf.
- The bins can nest on top of each other when at the job site or in the warehouse getting filled to go.
- Add a label to the front so you can find parts quickly
- Each bin can accommodate one optional divider.

**Order our predefined bin systems or create your own configuration of bins. Please note that the bins and the rail are a system. To obtain all the features listed above, both must be ordered.**



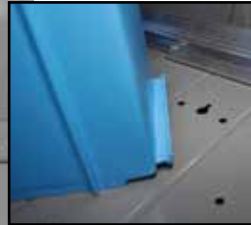
**SBIN120614**



**SBIN060614**



**BR36212 Bin Set for Adjustable Shelving**



**Bins lock into place along the rail for secure transport.**

| MODEL      | DESCRIPTION                     |
|------------|---------------------------------|
| SBIN060614 | Snap In Bin                     |
| SBIN120614 | Snap In Bin                     |
| SBINDIV    | Snap In Bin Divider             |
| BR36212    | Bin Set for Adjustable Shelving |
| BR76012    | Bin Set for Adjustable Shelving |
| SRAILAD26  | 26" Bin Rail                    |
| SRAILAD32  | 32" Bin Rail                    |
| SRAILAD44  | 44" Bin Rail                    |
| SRAILAD50  | 50" Bin Rail                    |

**PROTECT YOUR VAN AND CARGO WITH ADRIAN STEEL FLOOR MATS.**



Commercial grade

Reduce floor wear, cargo shift and interior noise.

**Floor Mats** are die-cut for wheelwells and meet flammability test MVSS 302. Made of 3/16" rubber, diamond corrugated pattern. Side stepwell and seat pedestals require some trimming.

- 88-2** Workmat
- 88-9** Workmat Kit

**SAFELY TRANSPORT REFRIGERANT TANKS IN AN ADRIAN STEEL TANK RACK.**



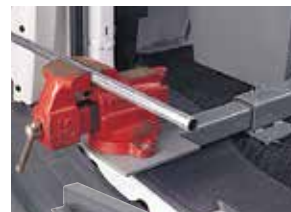
Vertically carry 30-lb. and 50-lb. refrigerant tanks securely in your van. Tank Racks can be installed for easy access from the side or rear van doors. Racks feature 14-gauge tubular steel frames welded for strength with sloped cradles and nylon straps. The optional **WTRTRAY** provides a storage area mounted on top of the welded tank racks.\* The tray can be mounted to any size tubular tank rack.

| MODEL     | DESCRIPTION                 |
|-----------|-----------------------------|
| WTR130250 | (1) 30 lb & (2) 50 lb tanks |
| WTR230150 | (2) 30 lb & (1) 50 lb tanks |
| WTR330    | (3) 30 lb tanks             |
| WTR350    | (3) 50 lb tanks             |
| WTR430    | (4) 30 lb tanks             |
| WTRTRAY   | Welded Tank Rack Shelf Kit  |



\*Please confirm the location of the tank rack and tray, some interior locations will not accommodate the tray due to the contour of the vehicle.





**1: DST21 Door Storage Tray** offers convenient access to parts and tools.

Overall size: 20" W, 4" D, 8" H

**2: Aerosol Can Tray** secure cans for easy access.

**ACT3** - 3-Place Aerosol Can Holder

**ACT4** - 4-Place Aerosol Can Holder

**3: 14 Step Stool** has a wide base and is 12" high. Stool can be used with a workbench or as an auxiliary step. Top measures 10" x 20" One size.

**4: TA2 Hard Hat Holder** secures hat to partition or shelving.

**5: VMA36 Vise Mount Assembly** is floor mounted and telescopes out beyond side or rear cargo doors when fully opened. Measures 36" closed and 60" open.

**6: Touch-Up Paint** in spray cans match Steel-Cote™ finish. Three colors:

**STP12G** - Gray **STP12W** - White **STP12B** - Black

**7: Door Tray** comes with two dividers and has optional lid for containment.

**DT21** - Door Tray Overall size: 18" W, 4" D, 4" H

**DTL21** - Door Tray Lid for DT21 only

**DTWL21** - Door Tray w/ Latching Lid Overall size: 20" W, 4" D, 4" H

**8: Hooks** organize a variety of cargo in easy-to-access locations.

**UH10** - Utility Hook

**UH25** - Utility Hook

**UH50** - Utility Hook

- 4-hook bar

**9: Parts Tray** features a 2" deep shelf lip. Can be mounted to cabinet and drawer modules for added top storage.

**4A** - Parts Tray Overall size: 36" W, 12" D, 2" H

**4B** - Parts Tray Overall size: 18" W, 12" D, 2" H

**REEL HOLDERS**



**1: CRH2 Cable Reel Holder** features a durable frame, two steel shafts that holds up to a 15-1/2" diameter reel by 14" wide. Overall size: 19-1/8" W, 16" D, 44-7/8" H

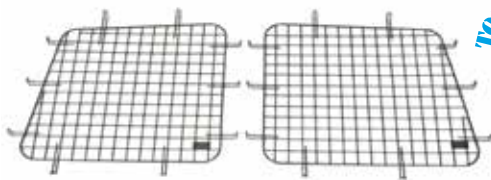

**2: KDRH2 2-Bar Wire Reel Holder** holds large spools up to 16" wide and 18" in diameter. Spools nest on conveyor rollers. Includes tie-down chains with neoprene covers. Overall size: 18" W, 46" H, 18" D

**3: WRH5 5-Bar Spool Holder** Five removable bars hold wire spools up to 6" in diameter. Reel Holder mounts to shelf ends or any vertical surface. Overall size: 12" W, 25" H, 4" D

**4: End Panel Reel Holder** Bar mounts between ADseries shelf end panels for easy access to spools of cable and wire.

**KDRH1426** - Wire Reel Holder **KDRH1432** - Wire Reel Holder

**KDRH1444** - Wire Reel Holder **KDRH1450** - Wire Reel Holder

**Wire Window Screens** add security to cargo area windows.

**60-25 & 60-26** Passenger Side Sliding Door Security Screen  
**60-21 & 60-22** Passenger Side Hinged Door Security Screen  
**60-23 & 60-24** Driver & Passenger Side Rear Door Security Screen  
**60-NV2** Rear Doors Security Screen Kit  
**60-120** Driver Side Rear Door Security Screen  
**60-121** Passenger Side Rear Door Security Screen

**FINALLY!**

**A LADDER RACK DESIGNED AROUND YOU... NOT YOUR VEHICLE.**

Introducing the All-New Drop-Down Ladder Rack from Adrian Steel!



The new, simpler design makes it easier to install and adjust. The aluminum build of the rack reduces corrosion and keeps your ladder rack looking like new. It will accommodate a variety of ladders and safely secure them for transport.

Technicians that are 5'-5" or taller can safely load and unload the ladder because of the lower, more ergonomic load and unload height. Durability testing ensures that the rack will stand the test of time and perform as it should for many years.



Enhancements to our proven Drop-Down design allows for the use of our versatile aluminum conduit carriers **80-1LR** and **80-2LR**. Additionally, we replaced the modified crossbar of the old kit with a new square tube that allows for a new clamp bracket which greatly improves the ease of adjustment to carry step and extension ladders.

- DDL61GM2** - Passenger Side Drop Down Ladder Rack
- DDL63GM2** - Dual-Sided Drop Down Ladder Rack
- DDL64GM2** - Drop Down, Grip Lock Combo Ladder Rack
- DDL64SLK2** - Adjustable Step Ladder Kit

**EXCLUSIVE!**

With the turn of a knob, you can quickly adjust the rack to fit a wide variety of ladders.

Technicians that are 5'-5" or taller can easily load and unload the rack without climbing up on anything.



**NEW**

Standard rack accommodates 28' extension ladder and 10' step ladder – short step ladders will need optional step ladder kit and up to 32' extension ladder with extension ladder kit.



### ALL-NEW & COMPLETELY REDESIGNED ALUMINUM GRIP-LOCK RACK

Off-the-Roof, Angled Design Offers a Lower Reach Height than Traditional Grip-Lock Racks.

The innovative "tilt angle" design offers a lower reach height than traditional grip lock racks.

Improved Grip-Lock design allows for easy adjustment.

**NEW**

Technicians that are 5'-7" or taller can easily load and unload the rack without climbing up on anything.



- 61-GLGM2 - Passenger Side Grip Lock Ladder Rack
- 63-GLGM2 - Dual-Sided Grip Lock Ladder Rack
- GLSLKFSV - Step Ladder Kit

Adrian Steel's completely redesigned grip-lock style ladder rack is designed to make your job easier when loading and unloading your ladders. The innovative "tilt angle" design offers a lower reach height than traditional grip lock style racks. Technicians that are 5'7" or taller can safely load and unload ladders with out having to climb up on something.

Our improved Gen. 2 Grip-Lock design now features an inner rail that comes standard. This rail allows for maximum adjustment and ease of use with the step ladder kit for many types of step ladders. Also, we have repositioned the location of the handle and allowed for the handle and latch to be repositioned if needed based on the step ladder.

Standard rack accommodates 28' extension ladder and 10' step ladder – short step ladders will need optional step ladder kit and up to 32' extension ladder with extension ladder kit.

*The all-new Grip-Lock Ladder Rack is an economical option that will look great and perform effortlessly for many years on your van!*

#### GRIP-LOCK LADDER RACK FOR CITY EXPRESS



SHOWN:  
63-NV2 Double Grip Lock Ladder Rack

The **City Express Grip-Lock Rack** features an all aluminum design with a natural finish for the best in quality and longevity. The Grip-Lock mounts directly to pre-existing mounting points in the City Express roof, no drilling is required for installation. Available in single and double configurations.

**Tip:** Adjusting the clamp brackets for your ladder is important to keep the ladder safe and secure.





SHOWN: 61-1 Single Grip Lock Ladder Rack with LR6200WSF Driver Side Loadsrite Kit.

| STYLE                 | MODEL  | DESCRIPTION   |
|-----------------------|--------|---|
| <b>EXPRESS/SAVANA</b> |        |   |
| SERIES 61             | 61-1   | Single Lock-Down                                    |
| SERIES 63             | 63-1   | Double Side Ladder Rack                             |
| SERIES 64             | 64-1   | Dual-Sided Grip Lock w/ Extension & Step Ladder Kit |
| <b>CITY EXPRESS</b>   |        |   |
| SERIES 61             | 61-NV2 | Single Grip Lock Ladder Rack                        |
| SERIES 63             | 63-NV2 | Double Grip Lock Ladder Rack                        |
| <b>ACCESSORIES</b>    |        |   |
| Step Ladder Kit       | 68-3   | Step Ladder Support Kit                             |
| Extension Kit         | 69-4   | Ladder Rack Extension Kit                           |
| Rail Cover Kit        | 76     | Protective cover for all ladder rack rail and horn  |
| Conduit Carrier       | 80-1   | Conduit Kit   |
| Conduit Carrier       | 80-2   | Conduit Kit   |
| Conduit Carrier       | 70-1   | Conduit Kit w/ Round End Caps                       |
| Conduit Carrier       | 70-2   | Conduit Kit w/ Round End Caps                       |

## Grip-Lock Rack Accessories

### Express / Savana / City Express

**CUSTOMIZE YOUR GRIP LOCK LADDER RACK FOR YOUR LADDER CARRYING NEEDS.**



**69-4 Ladder Rack Extension Kit** Ladder rack extension kits add 24" to overall length for longer ladders. Kit includes plastisol side rails and cross support with two polymer ladder pads.

**68-3 Step Ladder Support Kits** Carry step ladders shorter than the distance between the front and rear cross supports. Kit includes one polymer adhesive-back ladder pad.

**76 Grip Lock Outer Rail Cover Kit** Protect your fiberglass ladders from wear. Kit includes covers for ladder rack horn and rail to protect ladder from contact damage.

**80-1, 80-2 Conduit Kit** feature a lift-up door for easy access and lockable swivel closure for security.

**70-1, 70-2 Conduit Kit w/ Round End Caps**(not shown) includes cast aluminum hinged lid and end cap, two stainless steel U-bolts, sealant and fasteners. Use with PVC pipe schedule 40 (not supplied.)

### 2B STEEL UTILITY RACK FOR EXPRESS/SAVANA

- The new design has eliminated much of the welding. This feature **reduces corrosion up to 80% more compared to similar goal-post style racks!**
- The uprights are fully plastisoled to protect against wear and reduce ladder fatigue.
- Uprights feature a number of attachment points for securing cargo straps.
- Designed to fit GM Express and Savana full size vans.
- Weather resistant cross bar is not cut to fit or perforated in any way improving longevity of the rack.
- Available in our durable black or white powder coat paint.
- Optional center bar supports shorter lengths and provides center support.

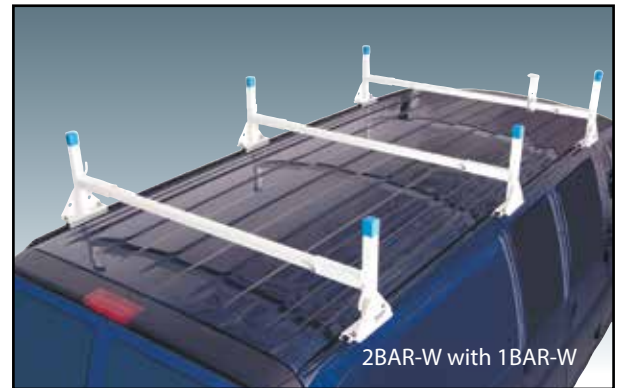
| MODEL  | DESCRIPTION              |
|--------|--------------------------|
| 1BRS-B | Center Cross Bow Kit     |
| 1BRS-W | Center Cross Bow Kit     |
| 2BRS-B | Steel Two Bar Black      |
| 2BRS-W | 2-Bar Utility Rack       |
| SSK-BS | Side Stop Kit for 2BRS-B |
| SSK-WS | Side Stop Kit for 2BRS-W |



### 2B ALUMINUM UTILITY RACK FOR EXPRESS/SAVANA

- Extra wide mount foot and welded tie hooks
- No drilling or cutting required to install prevents exposing metal to the weather.
- Available in our durable black or white powder coat paint.
- Upright caps protect ladders when loading and unloading.
- Optional center bar supports shorter lengths and provides center support.
- Designed to fit GM Express and Savana full size vans.

| MODEL  | DESCRIPTION              |
|--------|--------------------------|
| 1BAR-B | Center Cross Bow Kit     |
| 1BAR-W | Center Cross Bow Kit     |
| 2BAR-B | 2-Bar Utility Rack       |
| 2BAR-W | 2-Bar Utility Rack       |
| SSK-BA | Side Stop Kit Black      |
| SSK-WA | Side Stop Kit for 2BAR-W |



### ALUMINUM UTILITY RACK FOR CITY EXPRESS

The most flexible rack in the market, the 2BNV2 features an all aluminum design that allows you to maximize the roof of the City Express. No drill installation and an innovative rail system allows the user to easily reposition the crossbows where they are needed. **2BNV2 - 2-Bar Utility Rack**



### PERIMETER RACK FOR EXPRESS/SAVANA



#### PERIMETER RACKS

The VP1 Cargo Rack is designed to fit Express and Savana full size vans. Gutter mounted design requires no drilling. Crossmembers spaced from front bar are 52", 113" and 130" to slantdown rear bar.

- VPE1 Side Stop Kit for 2BRS-W
- Extend front of rack 30" with additional crossmember for extended long wheel-base full-size vans only.

#### FEATURES & BENEFITS

- Maximize carrying capacity of van.
- Frame constructed from 2" x 1" 13 GA square tube.
- All racks include rope hooks for easy tie-down.
- Slantdown rear section eases loading.
- Powder coat paint finish for lasting protection.

### STORING LADDERS INSIDE YOUR WORK VAN IS EASY AS 1, 2, 3, WITH OUR LADDER KEEPER.

Designed to be loaded from outside the vehicle, the Ladder Keeper features a spring-loaded clamp that holds the ladder securely in place. Just set the top of the ladder in the front clamp bracket and push it forward until the bottom of the ladder sits in the rear clamp bracket. Can be mounted to the ceiling or wall of the vehicle to keep ladders inside and out of the elements.



**1** Simply press ladder inward to release rear ladder rung from the rear clamp bracket.



**2** Walk the ladder back as the front clamp bracket glides on the track.



**3** Remove front rung from the front clamp bracket and you're ready to go to the job site!

| MODEL | DESCRIPTION                            |
|-------|--|
| VP1   | Perimeter Ladder Rack                  |
| VPE1  | Side Stop Kit for 2BRS-W               |
| CC17  | Center Crossbar for Van Perimeter Rack |
| RR5   | Utility Rack Rear Roller               |

#### VAN ACCESSORIES

|       |                                    |
|-------|------------------------------------|
| AS12  | Bumper Mounted Step                |
| BS6VP | VP1 Beacon/Strobe Mounting Bracket |
| LS3VP | Ladder Stop Kit for VP1            |
| RS4   | Square Ratchet Strap               |
| SH12  | Grab Handle                        |
| 80-1  | Conduit Kit                        |
| 80-2  | Conduit Kit                        |



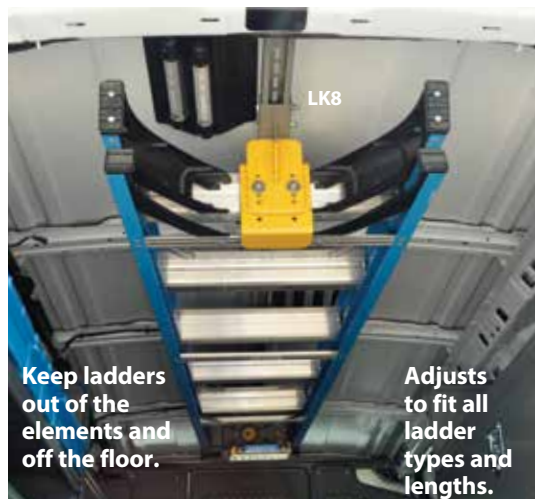
**RR5 Utility Rack Rear Roller** makes all your cargo easy-on and easy-off. Fits VP1 only. Includes two U-bolts for mounting.



**RS4 Square Ratchet Strap** safely ties down cargo. Locking ratchet action handle with 7 x 1.5" strap. Fits VP1 only.

**BS6VP VP1 Beacon/Strobe Mounting Bracket** raises light above rack for improved visibility.

**LS3VP Ladder Stop Kit for VP1** provides rung stop and tie off point for ladders.



Keep ladders out of the elements and off the floor.

Adjusts to fit all ladder types and lengths.

**Ladder Keeper** includes all parts needed to carry up to a 6' ladder in a regular wheelbase van and an 8' ladder in a long wheelbase van. To accommodate larger vehicles or ladders, you will require the LKX extension that provides 4' of additional track.

**LK8** - Ceiling Ladder Holder

**LKX** - Ceiling Ladder Holder Extension



**STORAGE SOLUTIONS THAT STAND UP TO THE JOB.**

General Contractor packages feature flexibility with adjustable shelving and drop in dividers that can be configured for what you need today and adjusted for what you need down the road. Complete the package with a ladder or cargo rack, a driver data file to organize your paperwork, and a graphic to turn your vehicle into a billboard for your business.

**GENERAL SERVICE STARTER**

**PACKAGE**

**4317G** GM FSV long wheelbase

**4317GX** GM FSV x-long wheelbase

| ITEM | MODEL      | DESCRIPTION  | QTY |
|------|------------|--|-----|
| 1    | AD44FP     | Adjustable 3-Shelf Unit                            | 3   |
| 2    | RKFSVLWB   | Mounting Rail Kit                                  | 1   |
| 3    | DV14C8     | 14" Shelf Dividers                                 | 1   |
| 4    | 919        | 3-Drawer Unit w/ Lock                              | 1   |
| 5    | S1M2HC2FSV | Steel Partition Panel Kit w/ Visibility & Door Kit | 1   |
| 6    | UH50       | Utility Hook                                       | 2   |
| 7    | DK4208     | Door Kit w/ Open Back                              | 2   |
| 8    | TA1        | 4-Hook Bar   | 1   |
| 9    | 19         | 2-Drawer Unit w/ Lock                              | 1   |
| 10   | DC6        | 3-Drawer Unit                                      | 1   |
| 11   | BRK14EPS   | End Panel Mounting Bracket                         | 2   |
| 12   | WKC2FSVGM  | Partition Wing Kit                                 | 1   |



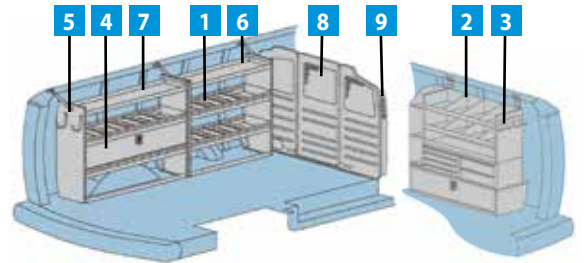
All Trade Packages include a steel cargo partition.

**2256G**

**GENERAL SERVICE STARTER PACKAGE**

**GM Full-Size Long Wheelbase Vans**

| ITEM | MODEL     | DESCRIPTION                                | QTY |
|------|-----------|--|-----|
| 1    | DV14      | Shelf Divider                              | 14  |
| 2    | MD507     | Shelf and Drawer Module                    | 1   |
| 3    | TA1       | 4-Hook Bar                                 | 1   |
| 4    | DK552     | Door Kit w/ Back Panel                     | 1   |
| 5    | UH50      | Utility Hook                               | 2   |
| 6    | HD-42FP   | 3-Shelf Unit                               | 1   |
| 7    | HD-52FP   | 3-Shelf Unit                               | 1   |
| 8    | S1M2C2FSV | Steel Partition Panel Kit w/ Visibility    | 1   |
| 9    | WKC2FSVGM | Steel Partition Mounting Kit w/ Visibility | 1   |

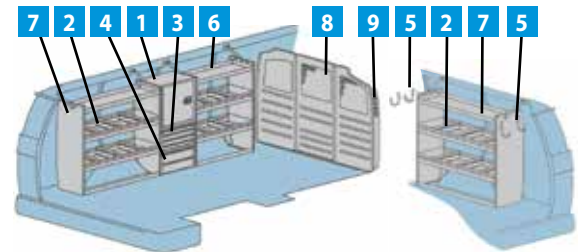


**2257G**

**GENERAL SERVICE STARTER PACKAGE**

**GM Full-Size Long Wheelbase Vans**

| ITEM | MODEL     | DESCRIPTION                                | QTY |
|------|-----------|--|-----|
| 1    | 12        | Adjustable Single Shelf Cabinet w/ Lock    | 1   |
| 2    | DV14      | Shelf Divider                              | 16  |
| 3    | 9         | Four Drawer Shallow                        | 1   |
| 4    | 19        | 2-Drawer Unit w/ Lock                      | 1   |
| 5    | UH50      | Utility Hook                               | 4   |
| 6    | HD-32FP   | 3-Shelf Unit                               | 1   |
| 7    | HD-42FP   | 3-Shelf Unit                               | 2   |
| 8    | S1M2C2FSV | Steel Partition Panel Kit w/ Visibility    | 1   |
| 9    | WKC2FSVGM | Steel Partition Mounting Kit w/ Visibility | 1   |



**Make your van WORK READY with a drop-down ladder rack or versatile cargo rack.**



**MAXIMIZE YOUR CARGO VAN STORAGE VOLUME WITH 44 SERIES WELDED SHELVING.**

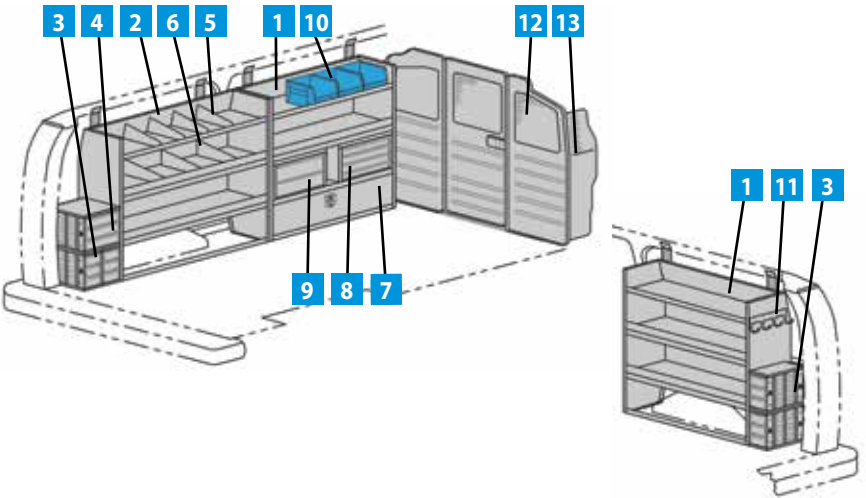
**4135G GENERAL CONTRACTOR PACKAGE**  
GM Full-Size Long Wheelbase Vans

| ITEM | MODEL      | DESCRIPTION   | QTY |
|------|------------|---|-----|
| 1    | 4442       | Welded 3-Shelf Unit   | 1   |
| 2    | 4450       | Welded 3-Shelf Unit   | 1   |
| 3    | 4432       | Welded 3-Shelf Unit   | 1   |
| 4    | DK550      | Door Kit  | 1   |
| 5    | DV44U4     | Top Shelf Divider Kit   | 1   |
| 6    | TA1        | 4-Hook Bar  | 2   |
| 7    | CL1446R    | Adjustable 3-Shelf Cabinet w/ Lock                                | 1   |
| 8    | 9          | 4-Drawer Unit w/ Lock   | 1   |
| 9    | 19         | 2-Drawer Unit w/ Lock   | 1   |
| 10   | DC12       | 3-Drawer Unit   | 1   |
| 11   | DC6        | 3-Drawer Unit   | 3   |
| 12   | DK544      | Door Kit  | 1   |
| 13   | 28         | Parts Bin   | 3   |
| 14   | S1M2HC2FSV | Steel Partition Panel Kit w/ Visibility & Door Kit (not pictured) | 1   |
| 15   | WKC2FSVGM  | Steel Partition Mounting Kit w/ Visibility (not pictured)         | 1   |



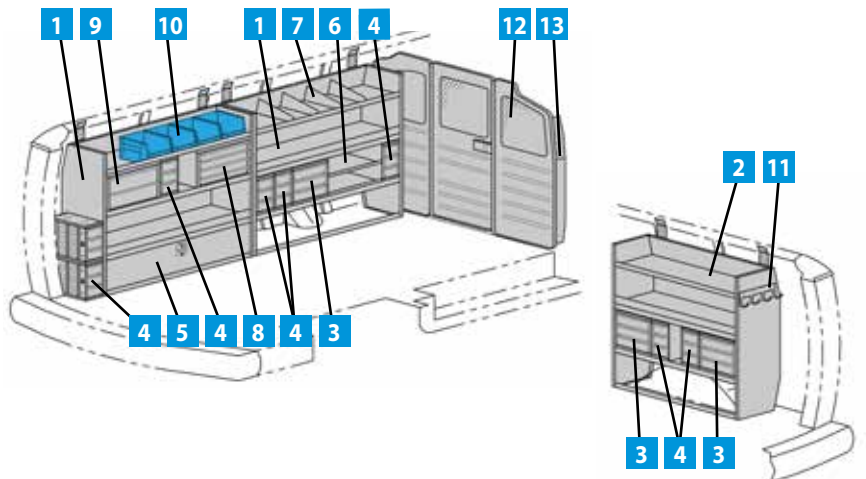
**4136G INDUSTRIAL SERVICES PACKAGE**  
GM Full-Size Long Wheelbase Vans

| ITEM | MODEL      | DESCRIPTION  | QTY |
|------|------------|--|-----|
| 1    | 4442       | Welded 3-Shelf Unit                                | 2   |
| 2    | 4450       | Welded 3-Shelf Unit                                | 1   |
| 3    | DC6        | Drawer Component - 6"                              | 4   |
| 4    | DC12       | 3-Drawer Unit                                      | 1   |
| 5    | DV44U4     | Top Shelf Divider Kit                              | 1   |
| 6    | DV44L1     | Lower Shelf Divider                                | 3   |
| 7    | DK544      | Door Kit   | 1   |
| 8    | 9          | 4-Drawer Unit w/ Lock                              | 1   |
| 9    | 19         | 2-Drawer Unit w/ Lock                              | 1   |
| 10   | 28         | Parts Bin  | 3   |
| 11   | TA1        | 4-Hook Bar   | 1   |
| 12   | S1M2HC2FSV | Steel Partition Panel Kit w/ Visibility & Door Kit | 1   |
| 13   | WKC2FSVGM  | Steel Partition Mounting Kit w/ Visibility         | 1   |



**4138G GENERAL STORAGE PACKAGE**  
GM Full-Size Long Wheelbase Vans

| ITEM | MODEL      | DESCRIPTION  | QTY |
|------|------------|--|-----|
| 1    | 4450       | Welded 3-Shelf Unit                                | 2   |
| 2    | 4442       | Welded 3-Shelf Unit                                | 1   |
| 3    | DC12       | 3-Drawer Unit                                      | 3   |
| 4    | DC6        | 3-Drawer Unit                                      | 8   |
| 5    | DK550      | Door Kit   | 1   |
| 6    | SF11218DC  | Shelf for DC Drawer Units 12"d x 18"w              | 2   |
| 7    | DV44U4     | Top Shelf Divider Kit                              | 1   |
| 8    | 9          | 4-Drawer Unit w/ Lock                              | 1   |
| 9    | 19         | 2-Drawer Unit w/ Lock                              | 1   |
| 10   | 28         | Parts Bin  | 4   |
| 11   | TA1        | 4-Hook Bar   | 1   |
| 12   | S1M2HC2FSV | Steel Partition Panel Kit w/ Visibility & Door Kit | 1   |
| 13   | WKC2FSVGM  | Steel Partition Mounting Kit w/ Visibility         | 1   |



**STORAGE SYSTEMS THAT ARE AS FLEXIBLE AS YOU ARE.**

Is there anything that you don't have in the back of your van? For all the fittings, pipe and tools that you need to transport, you need an Adrian Steel Work Ready van with the trade specific equipment you'll use to do the job and a graphics package advertising what you do.



**PLUMBING & HVAC STARTER PACKAGE**

**4318G** GM FSV long wheelbase  
**4318GX** GM FSV x-long wheelbase

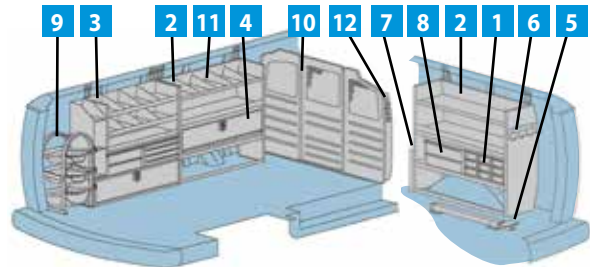
| ITEM | MODEL      | DESCRIPTION  | QTY |
|------|------------|--|-----|
| 1    | AD44FP     | Adjustable 3-Shelf Unit                            | 3   |
| 2    | RKFSVLWB   | Mounting Rail Kit                                  | 1   |
| 3    | DV14C8     | 14" Shelf Dividers                                 | 1   |
| 4    | 919        | 3-Drawer Unit w/ Lock                              | 1   |
| 5    | S1M2HC2FSV | Steel Partition Panel Kit w/ Visibility & Door Kit | 1   |
| 6    | WTR230150  | Welded Tank Rack                                   | 1   |
| 7    | 19         | 2-Drawer Unit w/ Lock                              | 2   |
| 8    | DC6        | 3-Drawer Unit                                      | 3   |
| 9    | DC12       | 3-Drawer Unit                                      | 1   |
| 10   | DK4208     | Door Kit w/ Open Back                              | 2   |
| 11   | TA1        | 4-Hook Bar   | 1   |
| 12   | VMA36      | Vice Mount Assembly                                | 1   |
| 13   | BRK14EPS   | End Panel Mounting Bracket                         | 1   |
| 14   | RKAWTR     | Welded Tank Rack Rail Adapter                      | 1   |
| 15   | WKC2FSVGM  | Steel Partition Mounting Kit w/ Visibility         | 1   |



**2251G Plumbing, Heating, & A/C Starter Package**

**GM Full-Size Long Wheelbase Vans**

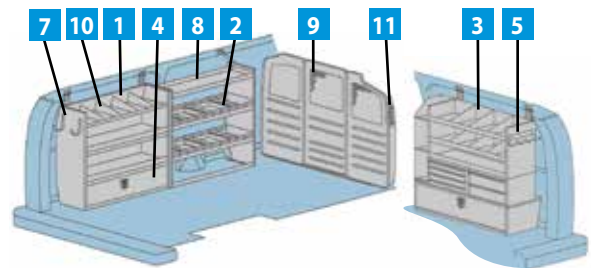
| ITEM | MODEL     | DESCRIPTION                                | QTY |
|------|-----------|--|-----|
| 1    | DS36012H  | 9-Drawer Unit                              | 1   |
| 2    | 4442      | Welded 3-Shelf Unit                        | 2   |
| 3    | MD507     | Shelf and Drawer Module                    | 1   |
| 4    | DK544     | Door Kit                                   | 1   |
| 5    | VMA36     | Vise Mount Assembly                        | 1   |
| 6    | TA1       | 4-Hook Bar                                 | 1   |
| 7    | TH50      | Tank Holder                                | 1   |
| 8    | 19        | 2-Drawer Unit w/ Lock                      | 1   |
| 9    | WTR230150 | Welded Tank Rack                           | 1   |
| 10   | S1M2C2FSV | Steel Partition Panel Kit w/ Visibility    | 1   |
| 11   | DV44U4    | Top Shelf Divider Kit                      | 1   |
| 12   | WKC2FSVGM | Steel Partition Mounting Kit w/ Visibility | 1   |



**2261G PLUMBING, HEATING, & A/C STARTER PACKAGE**

**GM Full-Size Long Wheelbase Vans**

| ITEM | MODEL     | DESCRIPTION                                | QTY |
|------|-----------|--|-----|
| 1    | 4442      | Welded 3-Shelf Unit                        | 1   |
| 2    | DV14      | Shelf Divider                              | 6   |
| 3    | MD507     | Shelf and Drawer Module                    | 1   |
| 4    | DK544     | Door Kit                                   | 1   |
| 5    | TA1       | 4-Hook Bar                                 | 1   |
| 6    | DTWL21    | Door Tray w/ Latching Lid (not shown)      | 2   |
| 7    | UH50      | Utility Hook                               | 2   |
| 8    | HD-42FP   | 3-Shelf Unit                               | 1   |
| 9    | S1M2C2FSV | Steel Partition Panel Kit w/ Visibility    | 1   |
| 10   | DV44U4    | Top Shelf Divider Kit                      | 1   |
| 11   | WKC2FSVGM | Steel Partition Mounting Kit w/ Visibility | 1   |



**MAKE YOUR VAN WORK READY:**  
 Have the small fittings, fasteners and parts taken over your van? Stay in control with a Bin Storage System!





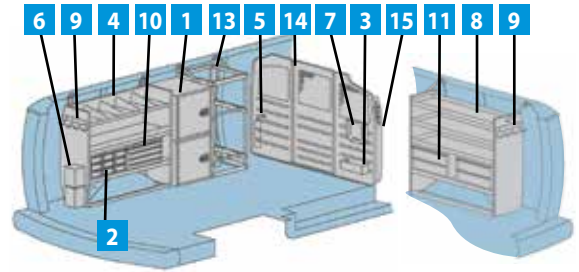
**IF IT IS YOUR JOB TO KEEP UP WITH THE LATEST TECHNOLOGY, IT'S OUR JOB TO KEEP THAT TECHNOLOGY ORGANIZED AND EASILY ACCESSIBLE!**

Cable TV interiors are designed specifically for service technicians who need to make fast and efficient service and installation calls. Divided shelving and composite drawers are perfect for keeping connectors, adapters, wall plates, cables, splitters and every other small component organized and in its place.

**2258G  
CABLE STARTER  
PACKAGE**

**GM Full-Size  
Long Wheelbase Vans**

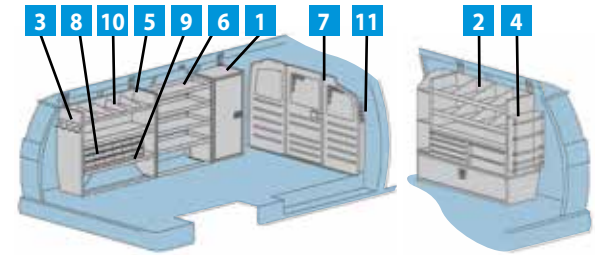
| ITEM | MODEL     | DESCRIPTION                                | QTY |
|------|-----------|--|-----|
| 1    | 1         | Adjustable Single Shelf Cabinet w/Lock     | 2   |
| 2    | DS36012H  | 9-Drawer Unit                              | 1   |
| 3    | PA9       | First Aid Tray                             | 1   |
| 4    | 4442      | Welded 3-Shelf Unit                        | 1   |
| 5    | PA8       | Fire Extinguisher                          | 1   |
| 6    | PA7       | Reflector Kit w/ Bracket                   | 1   |
| 7    | TA2       | Hard Hat Holder                            | 1   |
| 8    | 50-42     | 4-Shelf Unit                               | 1   |
| 9    | TA1       | 4-Hook Bar                                 | 2   |
| 10   | 9         | 4-Drawer Unit w/ Lock                      | 1   |
| 11   | 19        | 2-Drawer Unit w/ Lock                      | 2   |
| 12   | CCD12     | Center Console                             | 1   |
| 13   | KDRH2     | 2-Bar Wire Reel Holder                     | 1   |
| 14   | S1M2C2FSV | Steel Partition Panel Kit w/ Visibility    | 1   |
| 15   | DV44U4    | Top Shelf Divider Kit                      | 1   |
| 15   | WKC2FSVGM | Steel Partition Mounting Kit w/ Visibility | 1   |



**3230G  
SATELLITE  
INSTALLATION  
STARTER PACKAGE**

**GM Full-Size  
Long Wheelbase Vans**

| ITEM | MODEL      | DESCRIPTION  | QTY |
|------|------------|--|-----|
| 1    | CL1446R    | Adjustable 3-Shelf Cabinet w/ Lock                 | 1   |
| 2    | MD507      | Shelf and Drawer Module                            | 1   |
| 3    | TA1        | 4-Hook Bar   | 1   |
| 4    | WRH5       | 5-Bar Spool Holder                                 | 1   |
| 5    | 4442       | Welded 3-Shelf Unit                                | 1   |
| 6    | 50-32      | 4-Shelf Unit                                       | 1   |
| 7    | S1M2HC2FSV | Steel Partition Panel Kit w/ Visibility & Door Kit | 1   |
| 8    | 36         | 18-Drawer Unit                                     | 1   |
| 9    | 39         | Riser  | 1   |
| 10   | DV44U4     | Top Shelf Divider Kit                              | 1   |
| 11   | WKC2FSVGM  | Partition Wing Kit                                 | 1   |



**All Trade Packages include a steel cargo partition.**

**page 15**

Be more efficient with Versatile, lightweight, durable, convenient and mobile **Portable Parts Cases**. Perfect for the tech who needs to carry small parts and inventory to the jobsite.

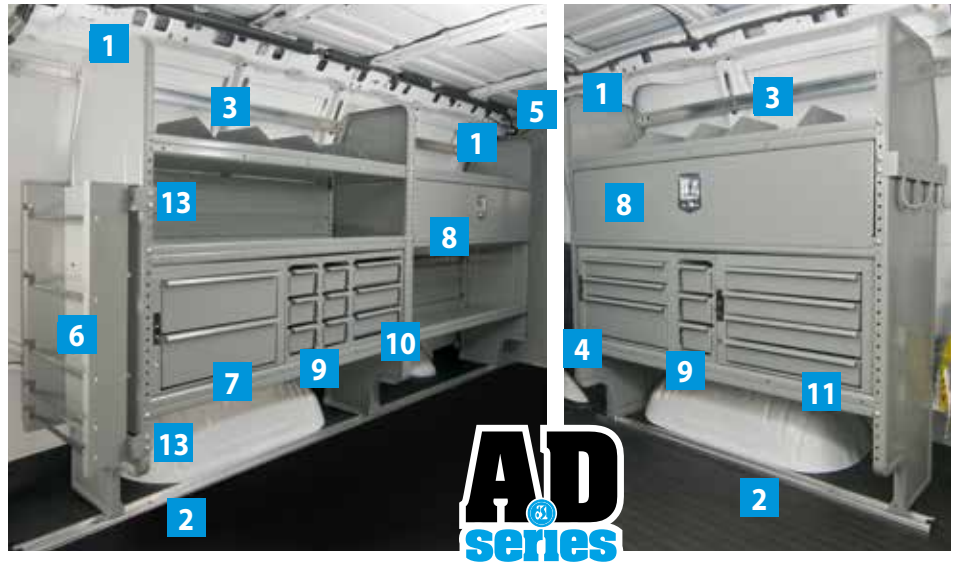
**KEEP EVERYTHING IN IT'S PLACE AND EASILY ACCESSIBLE.**

Time is money, and no one wants to pay you to dig through your van to find the connectors, junction boxes or tools you need to do the job. You don't want to wait either, so get your interior, ladder rack and graphics wrap all done at one place.

**ELECTRICAL & GAS STARTER PACKAGE**

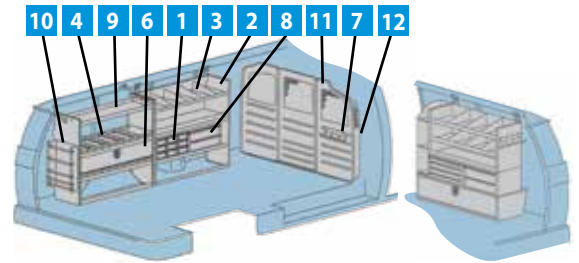
**4319G** GM FSV long wheelbase  
**4319GX** GM FSV x-long wheelbase

| ITEM | MODEL      | DESCRIPTION  | QTY |
|------|------------|--|-----|
| 1    | AD44FP     | Adjustable 3-Shelf Unit                            | 3   |
| 2    | RKFSVLWB   | Mounting Rail Kit                                  | 1   |
| 3    | DV14C8     | 14" Shelf Dividers                                 | 1   |
| 4    | 919        | 3-Drawer Unit w/ Lock                              | 1   |
| 5    | S1M2HC2FSV | Steel Partition Panel Kit w/ Visibility & Door Kit | 1   |
| 6    | WRH5       | 5-Bar Spool Holder                                 | 1   |
| 7    | 19         | 2-Drawer Unit w/ Lock                              | 1   |
| 8    | DK4208     | Door Kit w/ Open Back                              | 2   |
| 9    | DC6        | 3-Drawer Unit                                      | 3   |
| 10   | DC12       | 3-Drawer Unit                                      | 1   |
| 11   | 9          | 4-Drawer Unit w/ Lock                              | 1   |
| 12   | TA1        | 4-Hook Bar   | 1   |
| 13   | BRK14EPS   | End Panel Mounting Bracket                         | 3   |
| 14   | WKC2FSVGM  | Partition Wing Kit                                 | 1   |



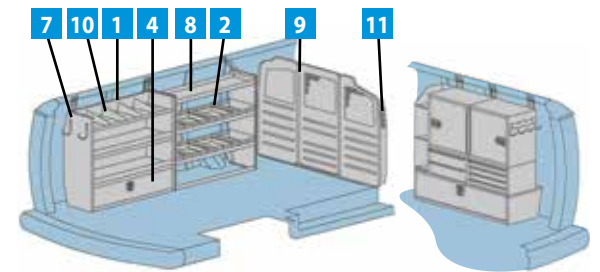
**2252G**  
**ELECTRICAL**  
**STARTER PACKAGE**  
**GM Full-Size**  
**Long Wheelbase Vans**

| ITEM | MODEL     | DESCRIPTION                                | QTY |
|------|-----------|--|-----|
| 1    | DS36012H  | 9-Drawer Unit                              | 1   |
| 2    | 4442      | Welded 3-Shelf Unit                        | 1   |
| 3    | DV44U4    | Top Shelf Divider Kit                      | 1   |
| 4    | DV14      | Shelf Divider                              | 8   |
| 5    | MD507     | Shelf and Drawer Module                    | 1   |
| 6    | DK542     | Door Kit w/ Back Panel                     | 1   |
| 7    | TA1       | 4-Hook Bar                                 | 2   |
| 8    | 19        | 2-Drawer Unit w/ Lock                      | 1   |
| 9    | HD-42FP   | 3-Shelf Unit                               | 1   |
| 10   | WRH5      | 5-Bar Spool Holder                         | 1   |
| 11   | S1M2C2FSV | Steel Partition Panel Kit w/ Visibility    | 1   |
| 12   | WKC2FSVGM | Steel Partition Mounting Kit w/ Visibility | 1   |



**2262G**  
**ELECTRICAL**  
**STARTER PACKAGE**  
**GM Full-Size**  
**Long Wheelbase Vans**

| ITEM | MODEL     | DESCRIPTION                                | QTY |
|------|-----------|--|-----|
| 1    | 4442      | Welded 3-Shelf Unit                        | 1   |
| 2    | DV14      | Shelf Divider                              | 6   |
| 3    | MD506     | Shelf and Drawer Module                    | 1   |
| 4    | DK544     | Door Kit                                   | 1   |
| 5    | TA1       | 4-Hook Bar                                 | 1   |
| 6    | DTWL21    | Door Tray w/ Latching Lid (not shown)      | 2   |
| 7    | UH50      | Utility Hook                               | 2   |
| 8    | HD-42FP   | 3-Shelf Unit                               | 1   |
| 9    | S1M2C2FSV | Steel Partition Panel Kit w/ Visibility    | 1   |
| 10   | DV44U4    | Top Shelf Divider Kit                      | 1   |
| 11   | WKC2FSVGM | Steel Partition Mounting Kit w/ Visibility | 1   |



**MAKE YOUR VAN WORK READY:**  
 Carry ladders safely and securely on the top of your van with a LoadsRite or Grip-Lock ladder rack.



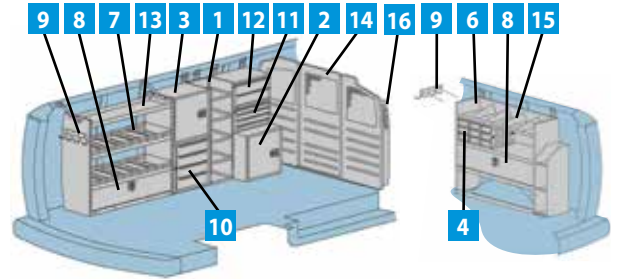
**THE KEY TO BEING A MOBILE LOCKSMITH IS HAVING EVERYTHING YOU NEED WHEREVER YOU ARE.**

Whether you are helping stranded motorists get back into their vehicle or installing a home security system, having everything needed for the job will keep your work day or night operating efficiently.

**2253G  
ALARM  
PACKAGE**

**GM Full-Size  
Long Wheelbase Vans**

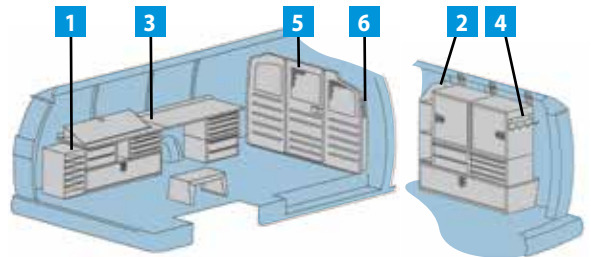
| ITEM | MODEL     | DESCRIPTION                                | QTY |
|------|-----------|--|-----|
| 1    | 33        | KD Shelf Rack                              | 1   |
| 2    | 1         | Adjustable Single Shelf Cabinet w/Lock     | 1   |
| 3    | 12        | Open Side Shelf Cabinet                    | 1   |
| 4    | DC6       | 3-Drawer Unit                              | 3   |
| 5    | 43        | 3-Shelf Literature Rack                    | 1   |
| 6    | 4442      | Welded 3-Shelf Unit                        | 1   |
| 7    | DV14      | Shelf Divider                              | 8   |
| 8    | DK544     | Door Kit                                   | 2   |
| 9    | TA1       | 4-Hook Bar                                 | 2   |
| 10   | 2         | Four Drawer Medium                         | 1   |
| 11   | 9         | 4-Drawer Unit w/ Lock                      | 1   |
| 12   | 19        | 2-Drawer Unit w/ Lock                      | 1   |
| 13   | HD-42FP   | 3-Shelf Unit                               | 1   |
| 14   | S1M2C2FSV | Steel Partition Panel Kit w/ Visibility    | 1   |
| 15   | DV44U4    | Top Shelf Divider Kit                      | 1   |
| 16   | WKC2FSVGM | Steel Partition Mounting Kit w/ Visibility | 1   |



**2255G  
LOCKSMITH  
STARTER PACKAGE**

**GM Full-Size  
Long Wheelbase Vans**

| ITEM | MODEL      | DESCRIPTION  | QTY |
|------|------------|--|-----|
| 1    | 17A        | 6-Shelf Catalog File                               | 1   |
| 2    | MD506      | Shelf and Drawer Module                            | 1   |
| 3    | MD608      | Workbench Module                                   | 1   |
| 4    | TA1        | 4-Hook Bar   | 1   |
| 5    | S1M2HC2FSV | Steel Partition Panel Kit w/ Visibility & Door Kit | 1   |
| 6    | WKC2FSVGM  | Partition Wing Kit                                 | 1   |



**Key Machine Base** holds key cutting machines at a 25-degree slope towards the operator for easy cutting. Mounts to No. 54 Workbench. Two sizes available to hold one or two machines.  
**KMB36** - Key Machine Base  
**KMB18** - Key Machine Base



**25° slope for easy cutting**





### THE ONLY VAN INTERIOR DESIGNED AROUND THE AUTOMOTIVE GLASS REPAIR PROFESSIONAL. FEATURING BURCO GLASS RACKS.

Burco S-Series glass racks fit any van and are ideal for loading and unloading from the top or side. They are very adaptable with a variety of widths and mast extensions to best fit your application.



Package shown with S-M-C partition option.

The 45047 Burco Glass Rack accommodates up to 11 windshields. Designed for modern windshields with six 14.5" and six 23.5" divider posts. The glass rack can transport both taller windshields and smaller glass panels safely. Each post is surrounded with a protective foam cover and a twist and lock top to keep your glass safe and secure.



AGSS24 shown with AGSCH2 Suction Cup Holder

#### Auto Glass Storage Station

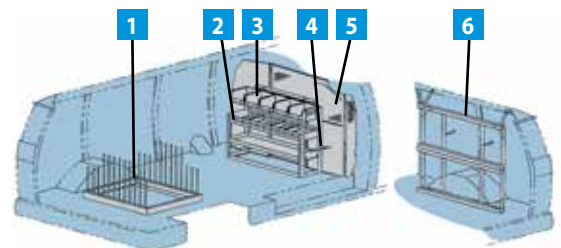
Store all your window prep supplies (glass primers, razor blades, cleaning supplies, power and hand tools) on the Storage Station. The removable blue bins allow you to take parts with you. The AGSS24 measures 36" high by 12" deep by 42" long.



AGTW4

#### Trim Weld Storage

Safely store windshield gaskets with the AGTW4. Easily pull out the length you need and forget about damaged material that costs time and money! Accommodates 24" by 24" boxed gaskets and most sizes of round gasket containers.



#### 4145G AUTO GLASS STARTER PACKAGE GM Express / Savana LWB

| ITEM | MODEL     | DESCRIPTION                                | QTY |
|------|-----------|--|-----|
| 1    | 45047     | S-111524B Burco Auto Glass Rack            | 1   |
| 2    | AGSS24    | Auto Glass Storage Station                 | 1   |
| 3    | 28        | Parts Bin                                  | 5   |
| 4    | AGSCH2    | Suction Cup Holder                         | 1   |
| 5    | X1FSV     | Steel Partition w/ Visibility              | 1   |
| 6    | AGTW4     | Auto Glass Trim Weld Storage               | 1   |
| 7    | WKX1FSVGM | Steel Partition Mounting Kit w/ Visibility | 1   |

**Express Access / Savana Pro**

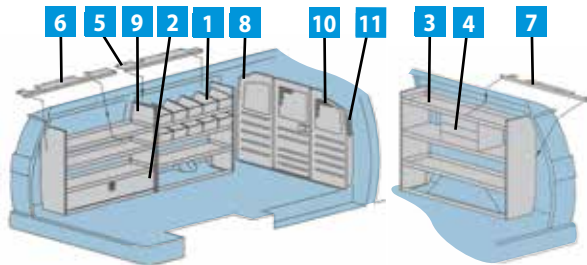
**EXPRESS ACCESS & SAVANA PRO UPPITS PROVIDE EASY ACCESS AND FLEXIBLE STORAGE.**

Side panels allow access to bins, drawers and shelving for easy access from the outside of the van.

**2940G  
COMMERCIAL  
STARTER PACKAGE**

**GM Pro/Access Full-Size  
Long Wheelbase Vans**

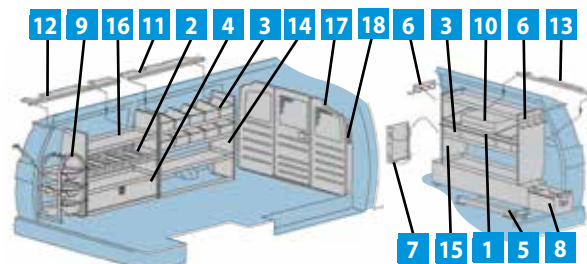
| ITEM | MODEL      | DESCRIPTION  | QTY |
|------|------------|--|-----|
| 1    | 24         | Parts B  | 10  |
| 2    | DK552A     | Door Kit   | 1   |
| 3    | AP6        | 3-Shelf Unit                                       | 1   |
| 4    | 919        | 3-Drawer Unit w/ Lock                              | 1   |
| 5    | MB121      | Driver Side Front Mounting Bracket                 | 1   |
| 6    | MB122      | Driver Side Rear Mounting Bracket                  | 1   |
| 7    | MB123      | Passenger Side Mounting Bracket                    | 1   |
| 8    | AP1        | 3-Shelf Unit                                       | 1   |
| 9    | AP2        | 3-Shelf Unit                                       | 1   |
| 10   | S1M2HC2FSV | Steel Partition Panel Kit w/ Visibility & Door Kit | 1   |
| 11   | WKC2FSVGM  | Partition Wing Kit                                 | 1   |



**2942G  
HVAC STARTER  
PACKAGE**

**GM Pro/Access Full-Size  
Long Wheelbase Vans**

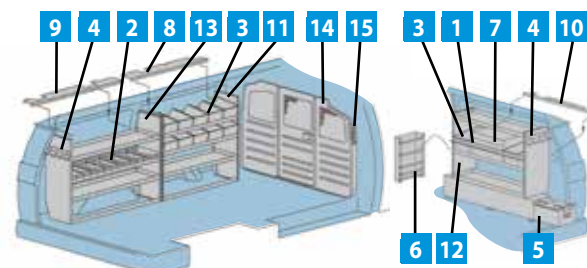
| ITEM | MODEL      | DESCRIPTION  | QTY |
|------|------------|--|-----|
| 1    | FR42       | Floor Rail 42"                                     | 1   |
| 2    | DV14       | Shelf Divider                                      | 4   |
| 3    | 24         | Parts Bin  | 12  |
| 4    | DK544      | Door Kit   | 1   |
| 5    | VMA 36     | Vise Mount Assembly                                | 1   |
| 6    | TA1        | 4-Hook Bar   | 2   |
| 7    | TH50       | Tank Holder  | 1   |
| 8    | SA-10      | Single Compartment Floor Drawer                    | 1   |
| 9    | WTR230150  | Welded Tank Rack                                   | 1   |
| 10   | 919        | 3-Drawer Unit w/ Lock                              | 1   |
| 11   | MB121      | Driver Side Front Mounting Bracket                 | 1   |
| 12   | MB122      | Driver Side Rear Mounting Bracket                  | 1   |
| 13   | MB123      | Passenger Side Mounting Bracket                    | 1   |
| 14   | AP1        | 3-Shelf Unit                                       | 1   |
| 15   | AP3        | 3-Shelf Unit                                       | 1   |
| 16   | AP 5       | KD Shelf Unit                                      | 1   |
| 17   | S1M2HC2FSV | Steel Partition Panel Kit w/ Visibility & Door Kit | 1   |
| 18   | WKC2FSVGM  | Partition Wing Kit                                 | 1   |



**2941G  
ELECTRICAL  
STARTER PACKAGE**

**GM Pro/Access Full-Size  
Long Wheelbase Vans**

| ITEM | MODEL      | DESCRIPTION  | QTY. |
|------|------------|--|------|
| 1    | FR42       | Floor Rail 42"                                     | 1    |
| 2    | DV14       | Shelf Divider                                      | 5    |
| 3    | 24         | Parts Bin  | 12   |
| 4    | TA1        | 4-Hook Bar   | 2    |
| 5    | SA-10      | Single Compartment Floor Drawer                    | 1    |
| 6    | WRH5       | 5-Bar Spool Holder                                 | 1    |
| 7    | 919        | 3-Drawer Unit w/ Lock                              | 1    |
| 8    | MB121      | Driver Side Front Mounting Bracket                 | 1    |
| 9    | MB122      | Driver Side Rear Mounting Bracket                  | 1    |
| 10   | MB123      | Passenger Side Mounting Bracket                    | 1    |
| 11   | AP1        | 3-Shelf Unit                                       | 1    |
| 12   | AP3        | 3-Shelf Unit                                       | 1    |
| 13   | AP4        | 3-Shelf Unit                                       | 1    |
| 14   | S1M2HC2FSV | Steel Partition Panel Kit w/ Visibility & Door Kit | 1    |
| 15   | WKC2FSVGM  | Partition Wing Kit                                 | 1    |







**POLY LINER INTERIOR**

- Protect your GM van from the inside with a Protec-to-Van Liner Kit.
- Designed to minimize the damage to the walls of your van.
- Liner panels are molded to conform to the shape of the van walls and run from floor to ceiling.
- The kit includes full length E-track and a hinged-door partition.
- Available for long and extended long wheelbase GM full size vans.

**3056G** fits 2014-older Express/Savana LWB

**3057G** fits 2014-older Express/Savana XLWB

**5384G** fits 2015-on Express/Savana LWB

**5384GX** fits 2015-on Express/Savana XLWB

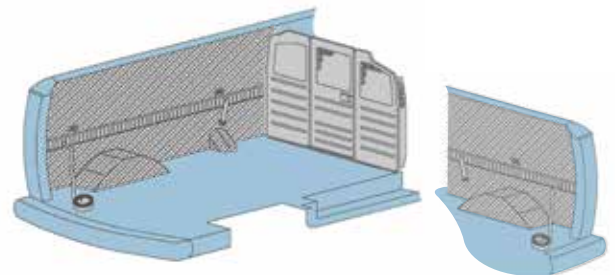


Choose from the Grip-Lock or LoadsRite ladder racks to get your ladders out of the van and on the roof for secure transportation.



page 24

Keep the cargo floor open for transporting large items. A Ladder Keeper will keep a step ladder secure on the ceiling and out of the way!



**Vehicle fit:** Poly Protecto-Van Liner fit full-size GM vans with long and extended long wheelbases. For use with 60/40 and sliding side doors.

Optional Floor Mat ordering information is on page 18.



**4959  
BASE STARTER PACKAGE**  
One ADseries Shelf and Steel Partition  
**City Express**

| ITEM | MODEL    | DESCRIPTION                    | QTY |
|------|----------|--------------------------------|-----|
| 1    | AD32FP   | Adjustable 3-Shelf Unit        | 1   |
| 2    | RKNV2-SS | Driver Side Mounting Plate Kit | 1   |
| 3    | P2NV2S   | Steel Partition w/ Visibility  | 1   |



**4960  
BASE STARTER PACKAGE**  
One ADseries Shelf and Wire Partition  
**City Express**

| ITEM | MODEL    | DESCRIPTION                    | QTY |
|------|----------|--------------------------------|-----|
| 1    | AD32FP   | Adjustable 3-Shelf Unit        | 1   |
| 2    | RKNV2-SS | Driver Side Mounting Plate Kit | 1   |
| 3    | P2NV2FW  | Wire Partition                 | 1   |



**4961  
BASE STARTER PACKAGE**  
One HD Series Shelf and Steel Partition  
**City Express**

| ITEM | MODEL    | DESCRIPTION                    | QTY |
|------|----------|--------------------------------|-----|
| 1    | HD-32NV2 | 4-Shelf Unit                   | 1   |
| 2    | RKNV2-SS | Driver Side Mounting Plate Kit | 1   |
| 3    | P2NV2S   | Steel Partition w/ Visibility  | 1   |



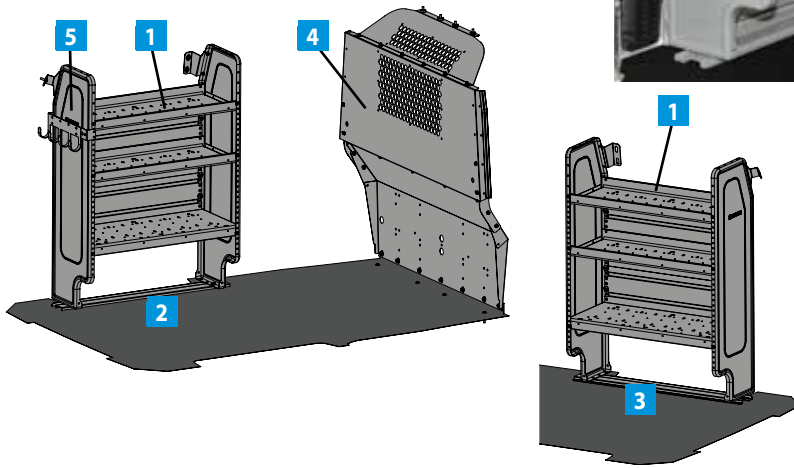
**4962  
BASE STARTER PACKAGE**  
One HD Series Shelf and Wire Partition  
**City Express**

| ITEM | MODEL    | DESCRIPTION                    | QTY |
|------|----------|--------------------------------|-----|
| 1    | HD-32NV2 | 4-Shelf Unit                   | 1   |
| 2    | RKNV2-SS | Driver Side Mounting Plate Kit | 1   |
| 3    | P2NV2FW  | Wire Partition                 | 1   |



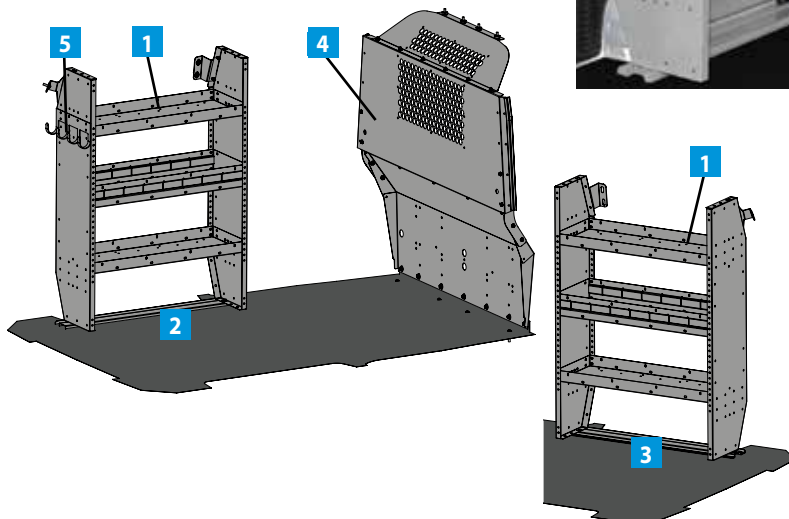
**4964**  
**DUAL SHELF STARTER PACKAGE**  
 Includes two 32" ADseries Shelves  
**City Express**

| ITEM | MODEL    | DESCRIPTION                       | QTY |
|------|----------|-----------------------------------|-----|
| 1    | AD32FP   | Adjustable 3-Shelf Unit           | 2   |
| 2    | RKNV2-SS | Driver Side Mounting Plate Kit    | 1   |
| 3    | RKNV2-CS | Passenger Side Mounting Plate Kit | 1   |
| 4    | P2NV2S   | Steel Partition w/ Visibility     | 1   |
| 5    | TA1WAD   | 4-Hook Bar w/ Adapter             | 1   |



**4965**  
**DUAL SHELF STARTER PACKAGE**  
 Includes two 32" HD Series Shelves  
**City Express**

| ITEM | MODEL    | DESCRIPTION                       | QTY |
|------|----------|-----------------------------------|-----|
| 1    | HD-32NV2 | 4-Shelf Unit                      | 2   |
| 2    | RKNV2-SS | Driver Side Mounting Plate Kit    | 1   |
| 3    | RKNV2-CS | Passenger Side Mounting Plate Kit | 1   |
| 4    | P2NV2S   | Steel Partition w/ Visibility     | 1   |
| 5    | TA1      | 4-Hook Bar                        | 1   |

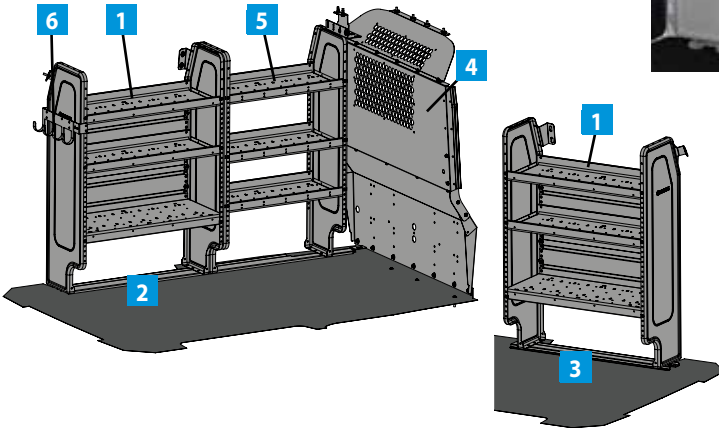


**4966**

**TRIPLE SHELF STARTER PACKAGE**

Includes two 32" & one 28" ADseries Shelves  
**City Express**

| ITEM | MODEL      | DESCRIPTION                       | QTY |
|------|------------|-----------------------------------|-----|
| 1    | AD32FP     | Adjustable 3-Shelf Unit           | 2   |
| 2    | RK67NV2-SS | Driver Side Mounting Rail Kit     | 1   |
| 3    | RKNV2-CS   | Passenger Side Mounting Plate Kit | 1   |
| 4    | P2NV2S     | Steel Partition w/ Visibility     | 1   |
| 5    | AD28NV2    | Adjustable 3-Shelf Unit           | 1   |
| 6    | TA1WAD     | 4-Hook Bar w/ Adapter             | 1   |

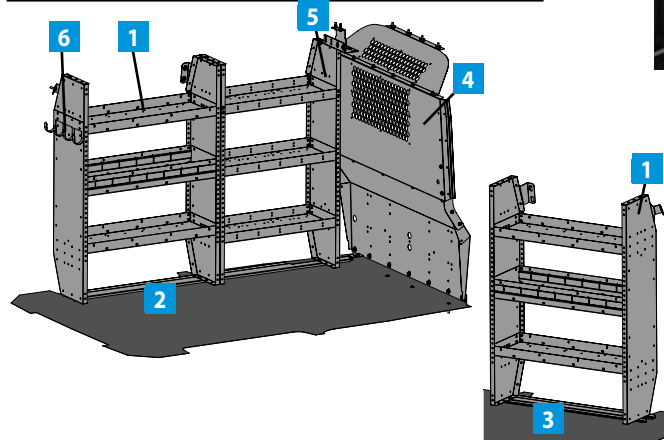


**4967**

**TRIPLE SHELF STARTER PACKAGE**

Includes two 32" & one 28" HD Series Shelves  
**City Express**

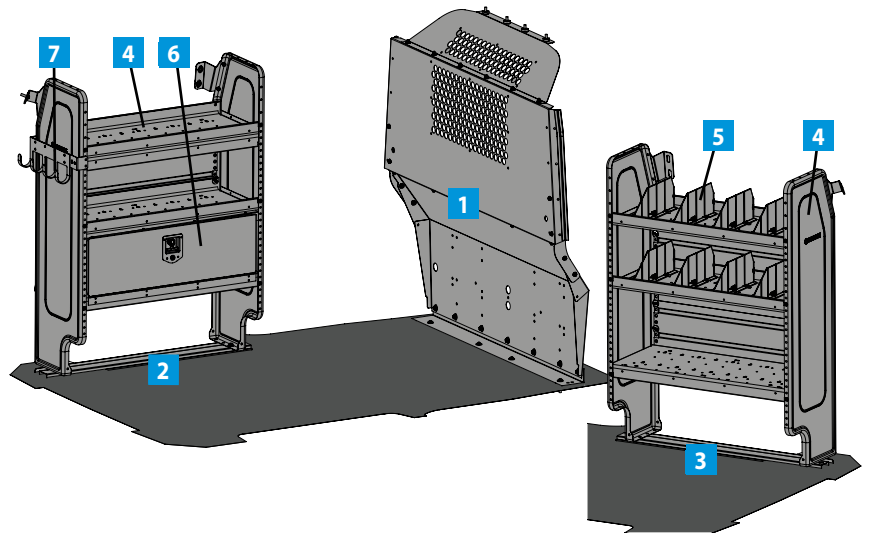
| ITEM | MODEL      | DESCRIPTION                       | QTY |
|------|------------|-----------------------------------|-----|
| 1    | HD-32NV2   | 4-Shelf Unit                      | 2   |
| 2    | RK67NV2-SS | Driver Side Mounting Rail Kit     | 1   |
| 3    | RKNV2-CS   | Passenger Side Mounting Plate Kit | 1   |
| 4    | P2NV2S     | Steel Partition w/ Visibility     | 1   |
| 5    | HD-28NV2   | 3-Shelf Unit                      | 1   |
| 6    | TA1        | 4-Hook Bar                        | 1   |





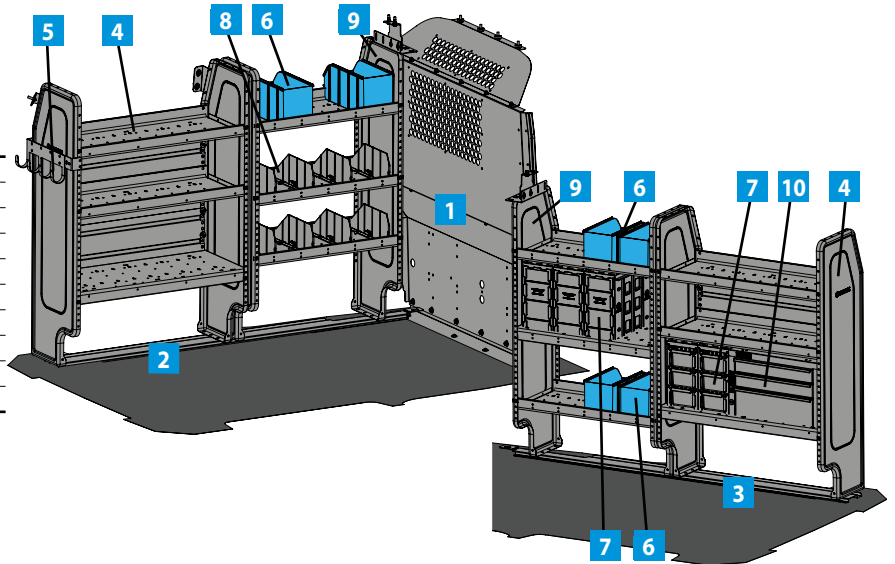
**5098  
SATELLITE INSTALLATION STARTER  
PACKAGE  
City Express**

| ITEM | MODEL    | DESCRIPTION                       | QTY |
|------|----------|-----------------------------------|-----|
| 1    | P2NV2S   | Steel Partition w/ Visibility     | 1   |
| 2    | RKNV2-SS | Driver Side Mounting Plate Kit    | 1   |
| 3    | RKNV2-CS | Passenger Side Mounting Plate Kit | 1   |
| 4    | AD32FP   | Adjustable 3-Shelf Unit           | 2   |
| 5    | DV14C8   | 14" Shelf Dividers                | 1   |
| 6    | DK532    | Door Kit w/ Back Panel            | 1   |
| 7    | TA1WAD   | 4-Hook Bar w/ Adapter             | 1   |



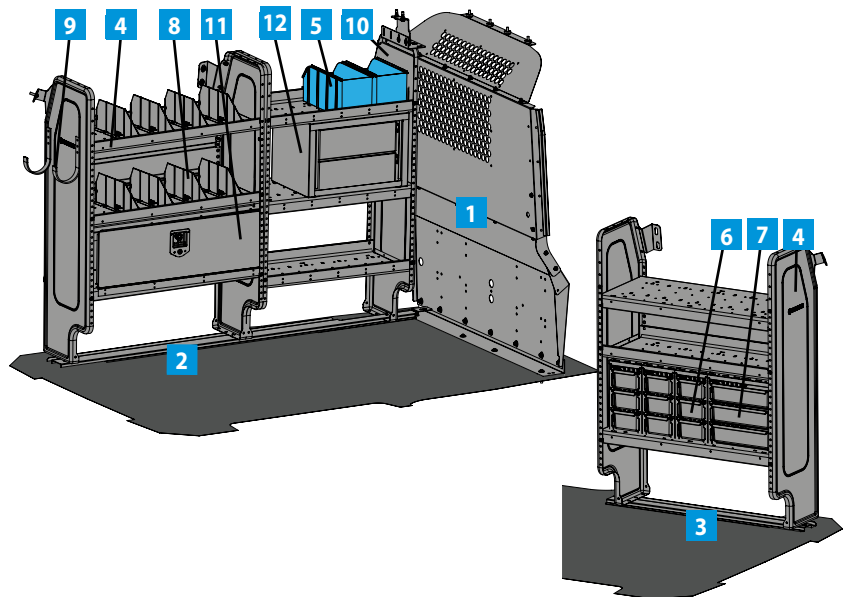
**5100  
GENERAL SERVICE STARTER PACKAGE  
City Express**

| ITEM | MODEL      | DESCRIPTION                      | QTY |
|------|------------|----------------------------------|-----|
| 1    | P2NV2S     | Steel Partition w/ Visibility    | 1   |
| 2    | RK67NV2-SS | Driver Side Mounting Rail Kit    | 1   |
| 3    | RK67NV2-CS | Passenger Side Mounting Rail Kit | 1   |
| 4    | AD32FP     | Adjustable 3-Shelf Unit          | 2   |
| 5    | TA1WAD     | 4-Hook Bar w/ Adapter            | 1   |
| 6    | SBIN060614 | Snap In Bin                      | 6   |
| 7    | DC6        | 3-Drawer Unit                    | 5   |
| 8    | DV14C8     | 14" Shelf Dividers               | 1   |
| 9    | AD28NV2    | Adjustable 3-Shelf Unit          | 2   |
| 10   | 919        | 3-Drawer Unit w/ Lock            | 1   |



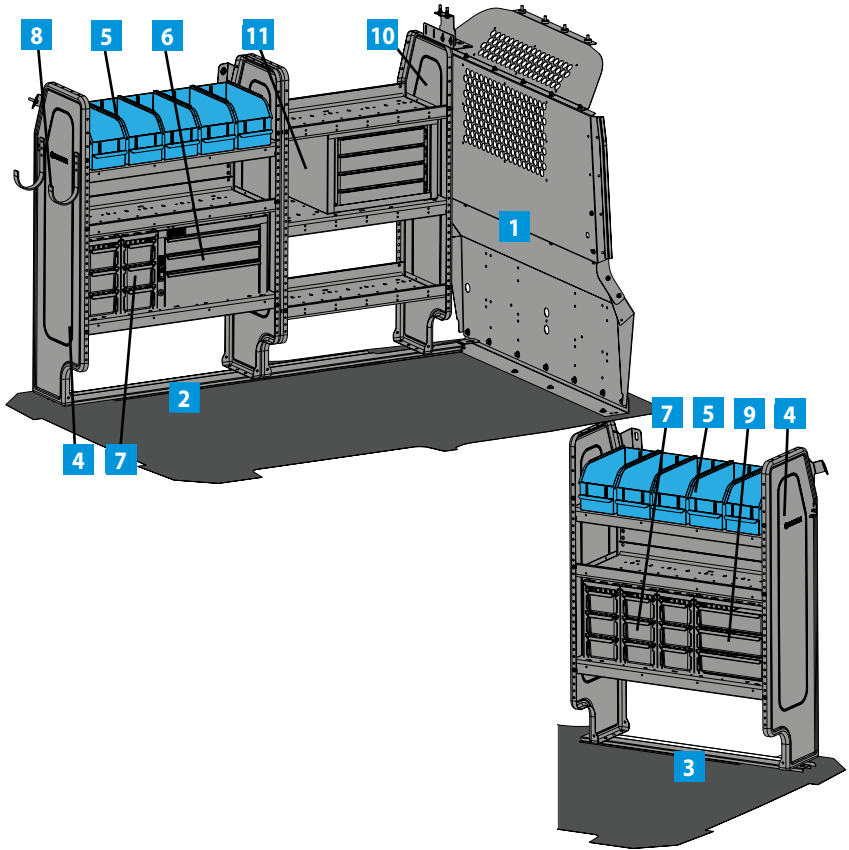
**5097  
Satellite Installation Starter Package  
City Express**

| ITEM | MODEL      | DESCRIPTION                       | QTY |
|------|------------|-----------------------------------|-----|
| 1    | P2NV2S     | Steel Partition w/ Visibility     | 1   |
| 2    | RK67NV2-SS | Driver Side Mounting Rail Kit     | 1   |
| 3    | RKNV2-CS   | Passenger Side Mounting Plate Kit | 1   |
| 4    | AD32FP     | Adjustable 3-Shelf Unit           | 2   |
| 5    | SBIN060614 | Snap In Bin                       | 2   |
| 6    | DC6        | 3-Drawer Unit                     | 3   |
| 7    | DC12       | 3-Drawer Unit                     | 1   |
| 8    | DV14C8     | 14" Shelf Dividers                | 1   |
| 9    | UH50       | Utility Hook                      | 2   |
| 10   | AD28NV2    | Adjustable 3-Shelf Unit           | 1   |
| 11   | DK532      | Door Kit w/ Back Panel            | 1   |
| 12   | 19         | 2-Drawer Unit w/ Lock             | 1   |



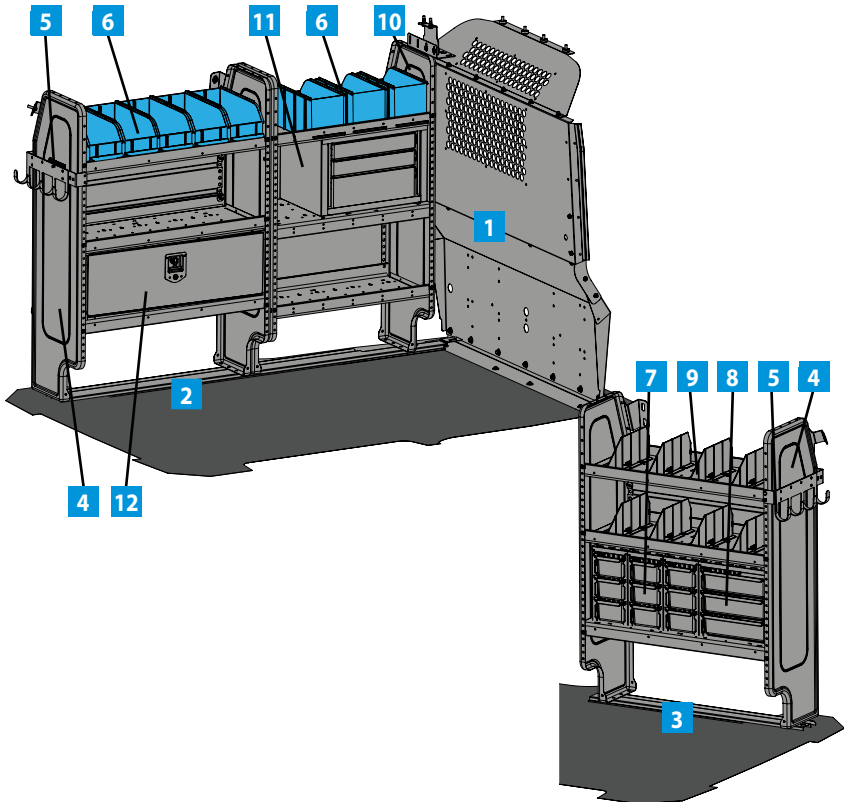
**5096  
PLUMBING STARTER PACKAGE  
City Express**

| ITEM | MODEL      | DESCRIPTION                       | QTY |
|------|------------|-----------------------------------|-----|
| 1    | P2NV2S     | Steel Partition w/ Visibility     | 1   |
| 2    | RK67NV2-SS | Driver Side Mounting Rail Kit     | 1   |
| 3    | RKNV2-CS   | Passenger Side Mounting Plate Kit | 1   |
| 4    | AD32FP     | Adjustable 3-Shelf Unit           | 2   |
| 5    | SBIN060614 | Snap In Bin                       | 10  |
| 6    | 919        | 3-Drawer Unit w/ Lock             | 1   |
| 7    | DC6        | 3-Drawer Unit                     | 5   |
| 8    | UH50       | Utility Hook                      | 2   |
| 9    | DC12       | 3-Drawer Unit                     | 1   |
| 10   | AD28NV2    | Adjustable 3-Shelf Unit           | 1   |
| 11   | 9          | 4-Drawer Unit w/ Lock             | 1   |
| 12   | SRAILAD32  | 32" Bin Rail                      | 2   |
| 13   | BAGSRAIL   | Fastener Bag                      | 1   |



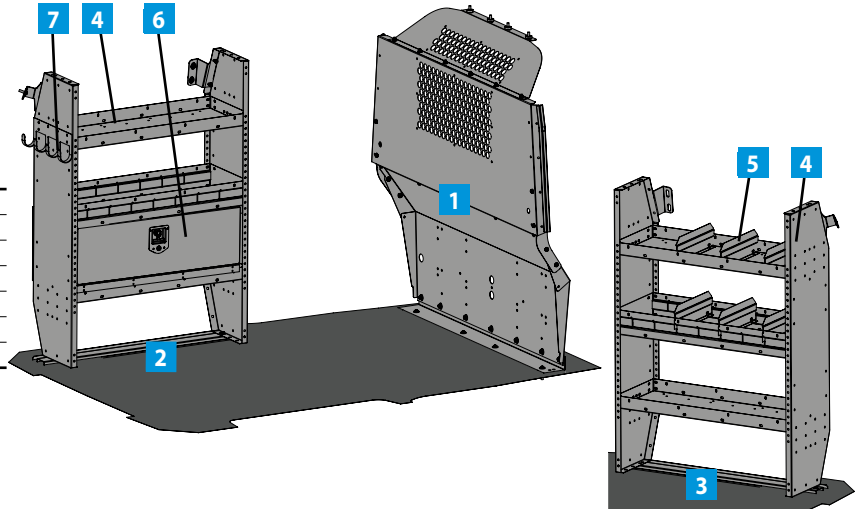
**5099  
ELECTRICAL STARTER PACKAGE  
City Express**

| ITEM | MODEL      | DESCRIPTION                       | QTY |
|------|------------|-----------------------------------|-----|
| 1    | P2NV2S     | Steel Partition w/ Visibility     | 1   |
| 2    | RK67NV2-SS | Driver Side Mounting Rail Kit     | 1   |
| 3    | RKNV2-CS   | Passenger Side Mounting Plate Kit | 1   |
| 4    | AD32FP     | Adjustable 3-Shelf Unit           | 2   |
| 5    | TA1WAD     | 4-Hook Bar w/ Adapter             | 2   |
| 6    | SBIN060614 | Snap In Bin                       | 8   |
| 7    | DC6        | 3-Drawer Unit                     | 3   |
| 8    | DC12       | 3-Drawer Unit                     | 1   |
| 9    | DV14C8     | 14" Shelf Dividers                | 1   |
| 10   | AD28NV2    | Adjustable 3-Shelf Unit           | 1   |
| 11   | 919        | 3-Drawer Unit w/ Lock             | 1   |
| 12   | DK532      | Door Kit w/ Back Panel            | 1   |
| 13   | SRAILAD32  | 32" Bin Rail                      | 1   |
| 14   | BAGSRAIL   | Fastener Bag                      | 1   |



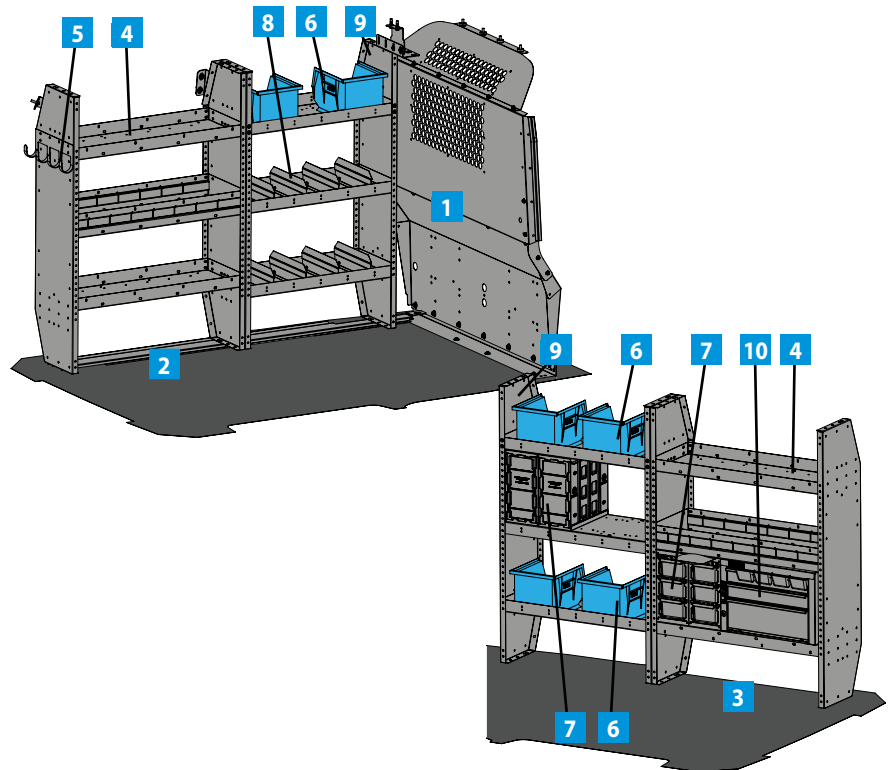
## 5082 COMMERCIAL STARTER PACKAGE City Express

| ITEM | MODEL    | DESCRIPTION                       | QTY |
|------|----------|-----------------------------------|-----|
| 1    | P2NV2S   | Steel Partition w/ Visibility     | 1   |
| 2    | RKNV2-SS | Driver Side Mounting Plate Kit    | 1   |
| 3    | RKNV2-CS | Passenger Side Mounting Plate Kit | 1   |
| 4    | HD-32NV2 | 4-Shelf Unit                      | 2   |
| 5    | DV12     | Shelf Divider                     | 6   |
| 6    | DK532    | Door Kit w/ Back Panel            | 1   |
| 7    | TA1      | 4-Hook Bar                        | 1   |



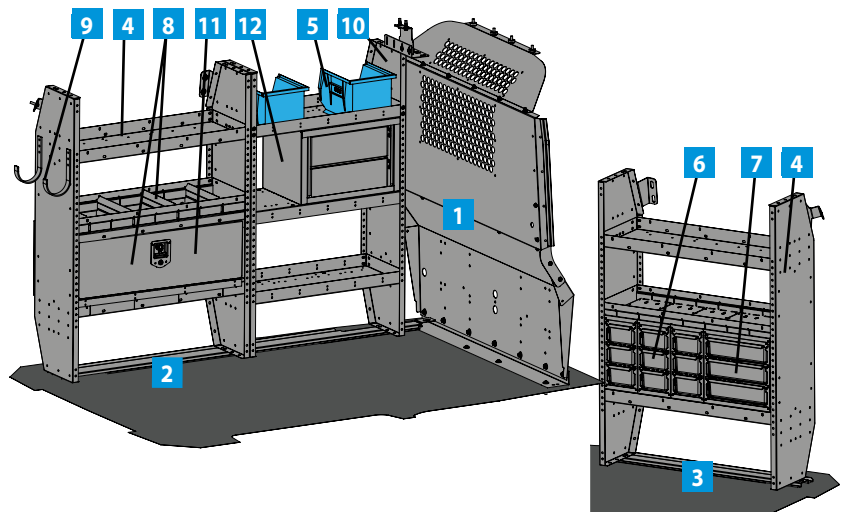
## 5084 GENERAL SERVICE STARTER PACKAGE City Express

| ITEM | MODEL      | DESCRIPTION                      | QTY |
|------|------------|----------------------------------|-----|
| 1    | P2NV2S     | Steel Partition w/ Visibility    | 1   |
| 2    | RK67NV2-SS | Driver Side Mounting Rail Kit    | 1   |
| 3    | RK67NV2-CS | Passenger Side Mounting Rail Kit | 1   |
| 4    | HD-32NV2   | 4-Shelf Unit                     | 2   |
| 5    | TA1        | 4-Hook Bar                       | 1   |
| 6    | 28         | Parts Bin                        | 6   |
| 7    | DC6        | 3-Drawer Unit                    | 5   |
| 8    | DV12       | Shelf Divider                    | 8   |
| 9    | HD-28NV2   | 3-Shelf Unit                     | 2   |
| 10   | 919        | 3-Drawer Unit w/ Lock            | 1   |



## 5081 SATELLITE INSTALLATION STARTER PACKAGE City Express

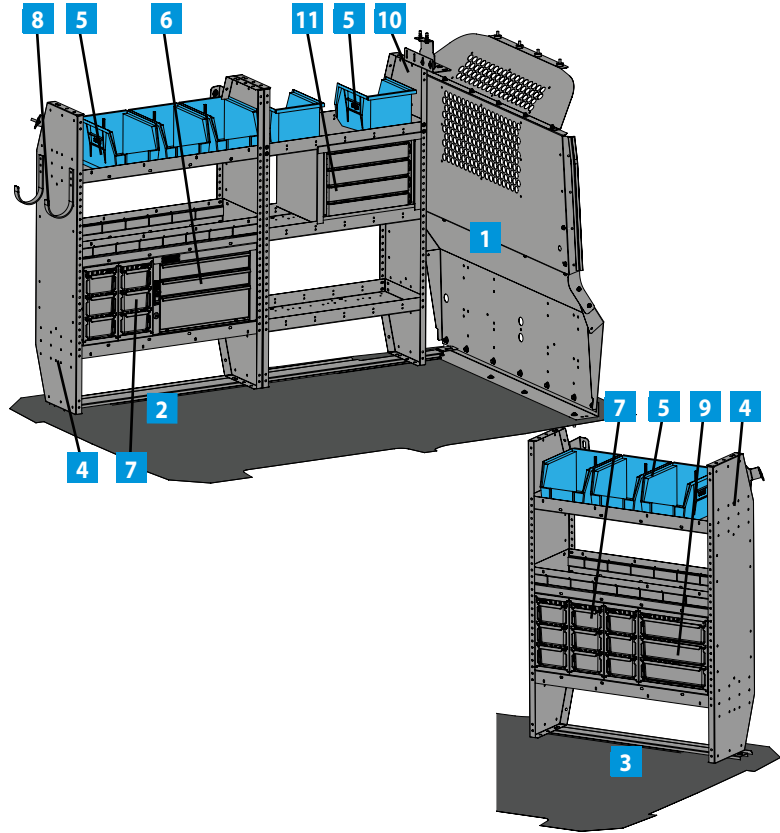
| ITEM | MODEL      | DESCRIPTION                       | QTY |
|------|------------|-----------------------------------|-----|
| 1    | P2NV2S     | Steel Partition w/ Visibility     | 1   |
| 2    | RK67NV2-SS | Driver Side Mounting Rail Kit     | 1   |
| 3    | RKNV2-CS   | Passenger Side Mounting Plate Kit | 1   |
| 4    | HD-32NV2   | 4-Shelf Unit                      | 2   |
| 5    | 28         | Parts Bin                         | 2   |
| 6    | DC6        | 3-Drawer Unit                     | 3   |
| 7    | DC12       | 3-Drawer Unit                     | 1   |
| 8    | DV12       | Shelf Divider                     | 8   |
| 9    | UH50       | Utility Hook                      | 2   |
| 10   | HD-28NV2   | 3-Shelf Unit                      | 1   |
| 11   | DK532      | Door Kit w/ Back Panel            | 1   |
| 12   | 19         | 2-Drawer Unit w/ Lock             | 1   |





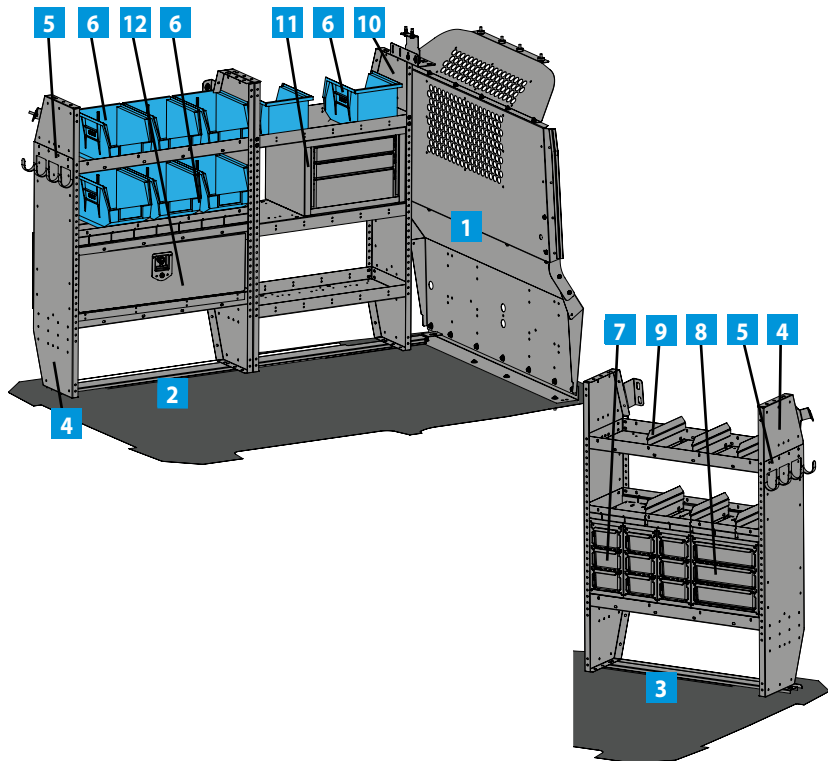
**5080  
PLUMBING STARTER PACKAGE  
City Express**

| ITEM | MODEL      | DESCRIPTION                       | QTY |
|------|------------|-----------------------------------|-----|
| 1    | P2NV2S     | Steel Partition w/ Visibility     | 1   |
| 2    | RK67NV2-SS | Driver Side Mounting Rail Kit     | 1   |
| 3    | RKNV2-CS   | Passenger Side Mounting Plate Kit | 1   |
| 4    | HD-32NV2   | 4-Shelf Unit                      | 2   |
| 5    | 28         | Parts Bin                         | 8   |
| 6    | 919        | 3-Drawer Unit w/ Lock             | 1   |
| 7    | DC6        | 3-Drawer Unit                     | 5   |
| 8    | UH50       | Utility Hook                      | 2   |
| 9    | DC12       | 3-Drawer Unit                     | 1   |
| 10   | HD-28NV2   | 3-Shelf Unit                      | 1   |
| 11   | 9          | 4-Drawer Unit w/ Lock             | 1   |



**5083  
ELECTRICAL STARTER PACKAGE  
City Express**

| ITEM | MODEL      | DESCRIPTION                       | QTY |
|------|------------|-----------------------------------|-----|
| 1    | P2NV2S     | Steel Partition w/ Visibility     | 1   |
| 2    | RK67NV2-SS | Driver Side Mounting Rail Kit     | 1   |
| 3    | RKNV2-CS   | Passenger Side Mounting Plate Kit | 1   |
| 4    | HD-32NV2   | 4-Shelf Unit                      | 2   |
| 5    | TA1        | 4-Hook Bar                        | 2   |
| 6    | 28         | Parts Bin                         | 8   |
| 7    | DC6        | 3-Drawer Unit                     | 3   |
| 8    | DC12       | 3-Drawer Unit                     | 1   |
| 9    | DV12       | Shelf Divider                     | 8   |
| 10   | HD-28NV2   | 3-Shelf Unit                      | 1   |
| 11   | 919        | 3-Drawer Unit w/ Lock             | 1   |
| 12   | DK532      | Door Kit                          | 1   |



## **Partitions**

|                |   |
|----------------|---|
| Accessories    | 7 |
| City Express   | 7 |
| Express/Savana | 6 |

## **Racks**

|               |    |
|---------------|----|
| Accessories   | 21 |
| Grip-Lock     | 21 |
| Ladder Keeper | 24 |
| LoadsRite     | 20 |
| Perimeter     | 24 |
| Utility       | 23 |

## **Shelving**

|            |    |
|------------|----|
| Adjustable | 9  |
| ADseries   | 8  |
| Welded     | 10 |

## **Trade Packages - City Express**

|               |    |
|---------------|----|
| ADseries      | 37 |
| Base Shelving | 34 |
| HDseries      | 39 |
| Upgrades      | 35 |

## **Trade Packages - Express/Savana**

|                       |    |
|-----------------------|----|
| Alarm/Locksmith       | 30 |
| Auto Glass Repair     | 29 |
| Cable TV              | 28 |
| Electrical Contractor | 29 |
| General Contractor    | 25 |
| General Service       | 26 |
| PHVAC                 | 27 |
| Pro/Access            | 32 |

|                             |    |
|-----------------------------|----|
| Parts Bins                  | 18 |
| Cabinet Modules             | 13 |
| Drawer Units                | 14 |
| Files - Center Console Desk | 16 |
| Files - Literature          | 16 |
| Floor Drawers               | 17 |
| Floor Mats                  | 18 |
| Glass Racks                 | 31 |
| Graphics - CCA              | 4  |
| Liner Kits                  | 33 |
| Lock Box                    | 16 |
| Modules-Storage             | 12 |
| Portable Parts Cases        | 15 |
| Reel Holders                | 19 |
| Tank Racks                  | 18 |
| Van Accessories             | 19 |
| Window Screens              | 19 |
| Workbench Modules           | 12 |





| MODEL      | PAGE  | DESCRIPTION                                | MODEL    | PAGE  | DESCRIPTION   | MODEL   | PAGE  | DESCRIPTION                              |
|------------|-------|--|----------|-------|---|---------|-------|--|
| SRAILAD32  | 16    | 32" Bin Rail                               | 8        | 12    | 3-Drawer Unit                                       | 2256G   | 23    | General Service Starter Package          |
| SRAILAD44  | 16    | 44" Bin Rail                               | 9        | 10    | 4-Drawer Unit w/ Lock                               | 2257G   | 23    | General Service Starter Package          |
| SRAILAD50  | 16    | 50" Bin Rail                               | 12       | 11    | Adjustable Single Shelf Cabinet w/Lock              | 2258G   | 26    | Cable Starter Package                    |
| SSK-BS     | 21    | Side Stop Kit for 2BRS-B                   | 12A      | 11    | Cabinet End Panel                                   | 2261G   | 27    | Plumbing, Heating, & A/C Starter Package |
| SSK-BA     | 21    | Side Stop Kit                              | 14       | 10    | Step Stool  | 2262G   | 27    | Electrical Starter Package               |
| SSK-WA     | 21    | Side Stop Kit for 2BAR-W                   | 17A      | 14    | 6-Shelf Catalog File                                | 2940G   | 30    | Commercial Starter Package               |
| SSK-WS     | 21    | Side Stop Kit for 2BRS-W                   | 18       | 10    | Welded 3-Shelf Unit w/ Dividers                     | 2941G   | 30    | Electrical Starter Package               |
| STP12G     | 17    | Touch-Up Paint                             | 19       | 10    | 2-Drawer Unit w/ Lock                               | 2942G   | 30    | HVAC Starter Package                     |
| STP12W     | 17    | Touch-Up Paint                             | 25       | 12    | Drawer Divider Assembly                             | 3056G   | 31    | Poly Liner Interior                      |
| STP12B     | 17    | Touch-Up Paint                             | 26       | 12    | Drawer Divider Assembly                             | 3057G   | 31    | Protecto-Van Liner                       |
| TA1        | 6,17  | 4-Hook Bar                                 | 27       | 12    | Drawer Divider Assembly                             | 3230G   | 26    | Satellite Installation Starter Package   |
| TA1WAD     | 33    | 4-Hook Bar w/ Adapter                      | 28       | 9     | Parts Bin   | 35325-G | 7     | 32" Shelf ADseries                       |
| TA2        | 17    | Hard Hat Holder                            | 33       | 8     | KD Shelf Rack                                       | 35327-G | 7     | 44" Shelf ADseries                       |
| TA18       | 11    | Compressed Gas Tank Cabinet                | 33W      | 8     | Welded 4-Shelf Unit                                 | 35328-G | 7     | 50" Shelf ADseries                       |
| TA19       | 11    | Compressed Gas Tank Cabinet                | 33WB     | 8     | Welded 4-Shelf Unit w/ Bins                         | 4135G   | 24    | 44 Series Pkg                            |
| TA20       | 11    | Compressed Gas Tank Cabinet                | 40       | 10    | Wheelwell Bin w/ Lock                               | 4136G   | 24    | 44 Series Pkg                            |
| TDC12      | 14    | Tech Desk                                  | 43       | 10    | 3-Shelf Literature Rack                             | 4138G   | 24    | 44 Series Pkg                            |
| TH30       | 6     | Tank Holder                                | 54       | 10    | Workbench Top                                       | 4145G   | 29    | Auto Glass Starter Package               |
| TH50       | 6     | Tank Holder                                | 60-21    | 17    | Passenger Side Hinged Door Security Screen          | 4317G   | 23    | General Service Starter Package          |
| TK10       | 15    | Floor Drawer Traction Kit                  | 60-22    | 17    | Passenger Side Hinged Door Security Screen          | 4317GX  | 23    | General Service Starter Package          |
| TK20       | 15    | Floor Drawer Traction Kit                  | 60-23    | 17    | Driver Side Rear Door Security Screen               | 4318G   | 25    | Plumbing & HVAC Starter Package          |
| TK30       | 15    | Floor Drawer Traction Kit                  | 60-24    | 17    | Passenger Side Rear Door Security Screen            | 4318GX  | 25    | Plumbing & HVAC Starter Package          |
| TK40       | 15    | Floor Drawer Traction Kit                  | 60-25    | 17    | Passenger Side Sliding Door Security Screen         | 4319G   | 27    | Electrical & Gas Starter Package         |
| UH10       | 17    | Utility Hook                               | 60-26    | 17    | Passenger Side Sliding Door Security Screen         | 4319GX  | 27    | Electrical & Gas Starter Package         |
| UH25       | 17    | Utility Hook                               | 60-120   | 17    | Driver Side Rear Door Security Screen               | 4432    | 9, 24 | Welded 3-Shelf Unit                      |
| UH50       | 17    | Utility Hook                               | 60-121   | 17    | Passenger Side Rear Door Security Screen            | 4442    | 9, 24 | Welded 3-Shelf Unit                      |
| VMA36      | 17    | Vise Mount Assm.                           | 60-NV2   | 17    | Rear Doors Security Screen Kit                      | 4450    | 9, 24 | Welded 3-Shelf Unit                      |
| FR42       | 30    | Floor Rail 42"                             | 61-1     | 20    | Single Grip Lock Ladder Rack                        | 45047   | 29    | Burco Glass Rack                         |
| VP1        | 22    | Perimeter Ladder Rack                      | 61-GLGM2 | 19    | Passenger Side Grip Lock Ladder Rack                | 4959    | 32    | Base Starter Package                     |
| VPE1       | 22    | Side Stop Kit for 2BRS-W                   | 61-NV2   | 20    | Single Grip Lock Ladder Rack                        | 4960    | 32    | Base Starter Package                     |
| WKC1FSVGM  | 4     | Steel Partition Mounting Kit               | 63-GLGM2 | 19    | Dual-Sided Grip Lock Ladder Rack                    | 4961    | 32    | Base Starter Package                     |
| WKC1FSVGM3 | 4     | Steel Partition Mounting Kit               | 63-NV2   | 19    | Double Grip Lock Ladder Rack                        | 4962    | 32    | Base Starter Package                     |
| WKC2FSVGM  | 4, 23 | Steel Partition Mounting Kit w/ Visibility | 63-1     | 20    | Double Side Ladder Rack                             | 4964    | 33    | Dual Shelf Starter Package               |
| WKC2FSVGM3 | 4     | Steel Partition Mounting Kit w/ Visibility | 64-1     | 20    | Dual-Sided Grip Lock w/ Extension & Step Ladder Kit | 4965    | 33    | Dual Shelf Starter Package               |
| WKX1FSVGM  | 4, 29 | Steel Partition Mounting Kit w/ Visibility | 68-3     | 20    | Step Ladder Support Kit                             | 4966    | 34    | Triple Shelf Starter Package             |
| WKX1FSVGM3 | 4     | Wing Kit 3"                                | 69-4     | 20    | Ladder Rack Extension Kit                           | 4967    | 34    | Triple Shelf Starter Package             |
| WRH5       | 30    | 5-Bar Spool Holder                         | 70-1     | 20    | Conduit Kit w/ Round End Caps                       | 5080    | 38    | Plumbing Starter Package                 |
| WTR130250  | 16    | Welded Tank Rack                           | 70-2     | 20    | Conduit Kit w/ Round End Caps                       | 5081    | 37    | Satellite Installation Starter Package   |
| WTR230150  | 16    | Welded Tank Rack                           | 76       | 20    | Grip Lock Outer Rail Cover Kit                      | 5082    | 37    | Commercial Starter Package               |
| WTR330     | 16    | Welded Tank Rack                           | 80-1     | 20,22 | Conduit Carrier                                     | 5083    | 38    | Electrical Starter Package               |
| WTR350     | 16    | Welded Tank Rack                           | 80-2     | 20,22 | Conduit Kit   | 5084    | 37    | General Service Starter Package          |
| WTR430     | 16    | Welded Tank Rack                           | 88-2     | 16    | Workmat   | 5096    | 36    | Plumbing Starter Package                 |
| WTRTRAY    | 16    | Welded Tank Rack Shelf Kit                 | 88-9     | 16    | Workmat Kit   | 5097    | 35    | Satellite Installation Starter Package   |
| X1FSV      | 29    | Steel Partition w/ Visibility              | 919      | 12    | 3-Drawer Unit w/ Lock                               | 5098    | 35    | Satellite Installation Starter Package   |
| 1          | 11    | Adjustable Single Shelf Cabinet w/Lock     | 2251G    | 25    | Plumbing, Heating, & A/C Starter Package            | 5099    | 36    | Electrical Starter Package               |
| 1A         | 11    | Cabinet Shelf                              | 2252G    | 27    | Electrical Starter Package                          | 5100    | 35    | General Service Starter Package          |
| 1BAR-B     | 21    | Center Cross Bow Kit                       | 2253G    | 38    | Alarm Pkg   | 5384G   | 31    | Interior Poly Liner                      |
| 1BAR-W     | 21    | Center Cross Bow Kit                       | 2255G    | 38    | Locksmith Starter Package                           | 5384GX  | 31    | Interior Poly Liner                      |
| 1BRS-B     | 21    | Center Cross Bow Kit                       |          |       |   |         |       |  |
| 1BRS-W     | 21    | Center Cross Bow Kit                       |          |       |   |         |       |  |
| 2          | 12    | 4-Drawer Unit                              |          |       |   |         |       |  |
| 2BAR-B     | 21    | 2-Bar Utility Rack                         |          |       |   |         |       |  |
| 2BAR-W     | 21    | 2-Bar Utility Rack                         |          |       |   |         |       |  |
| 2BNV2      | 21    | 2-Bar Utility Rack                         |          |       |   |         |       |  |
| 2BRS-B     | 21    | Utility Rack/Black                         |          |       |   |         |       |  |
| 2BRS-W     | 21    | 2-Bar Utility Rack                         |          |       |   |         |       |  |
| 3          | 8     | KD Shelf Rack                              |          |       |   |         |       |  |
| 4A         | 17    | Parts Tray                                 |          |       |   |         |       |  |
| 4B         | 17    | Parts Tray                                 |          |       |   |         |       |  |

# ADRIAN STEEL COMPANY



## QUALITY

- Our products are durable and reliable. Warranty claims are less than 1% of sales.
- Our warranty covers our products for three years or 36,000 miles.

## INNOVATIVE PRODUCTS WITH FEATURES THAT MATTER

- Drawers that stay closed while in transit.
- ADseries truly adjustable shelving platform.
- LoadsRite and Grip-Lock ladder racks that load and unload the safe and right way.
- Interior ladder storage.
- Plug and Play accessories.
- Anti-slam drawer latches, and much more!

## COMMITMENT

At Adrian Steel, we are committed to you beyond the upfit!

- A dedicated Customer Care Team at corporate headquarters.
- A network of highly qualified distributors to support you locally.
- Our commitment to provide the best cargo management solutions in North America.

## EXPERIENCE

- **Over One Million vans upfitted**, and counting! It's a fact that an organized vehicle increases work flow efficiencies and reduces inventory damages.
- Recognized as a National Truck Equipment Association MVP.



## SERVICE

- Adrian Steel Products can be purchased throughout North America at authorized Adrian Steel distributors.
- Adrian Steel Customer Service Representatives are available M-F, 8am - 5pm EST at **1-800-677-2726**.
- E-mail us at [info@adriansteel.com](mailto:info@adriansteel.com) with questions, comments and feedback.
- Visit [AdrianSteel.com](http://AdrianSteel.com) for the most up-to-date product information, distributor locator, product catalogs, videos and more.

## PROUDLY DISTRIBUTED BY:



906 James Street  
Adrian, Michigan 49221-3996  
517-265-6194 Fax: 517-265-5834  
Toll Free **800-677-2726**  
[adriansteel.com](http://adriansteel.com) [info@adriansteel.com](mailto:info@adriansteel.com)